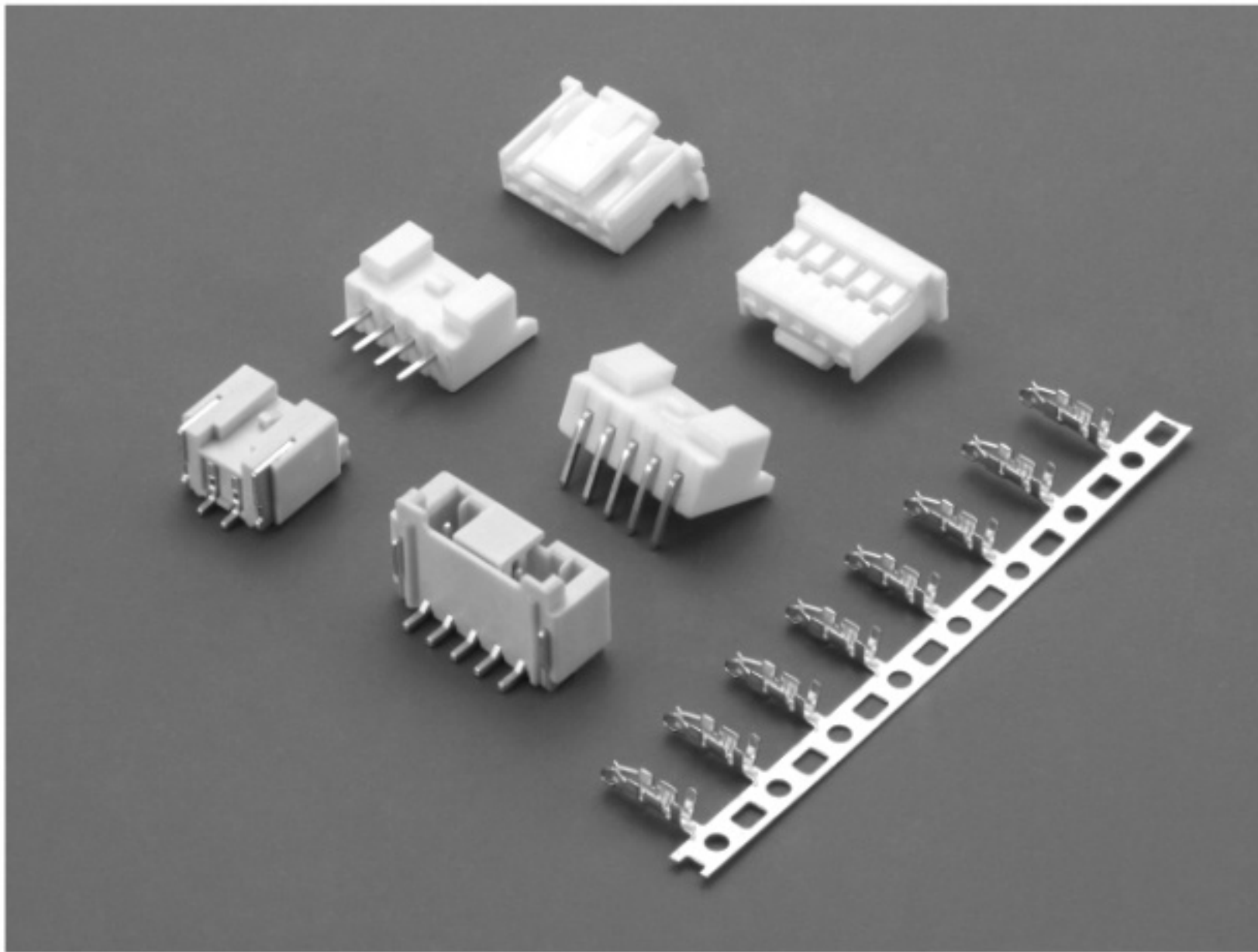


2060H SERIES

2.00mm PITCH WIRE TO BOARD CONNECTOR

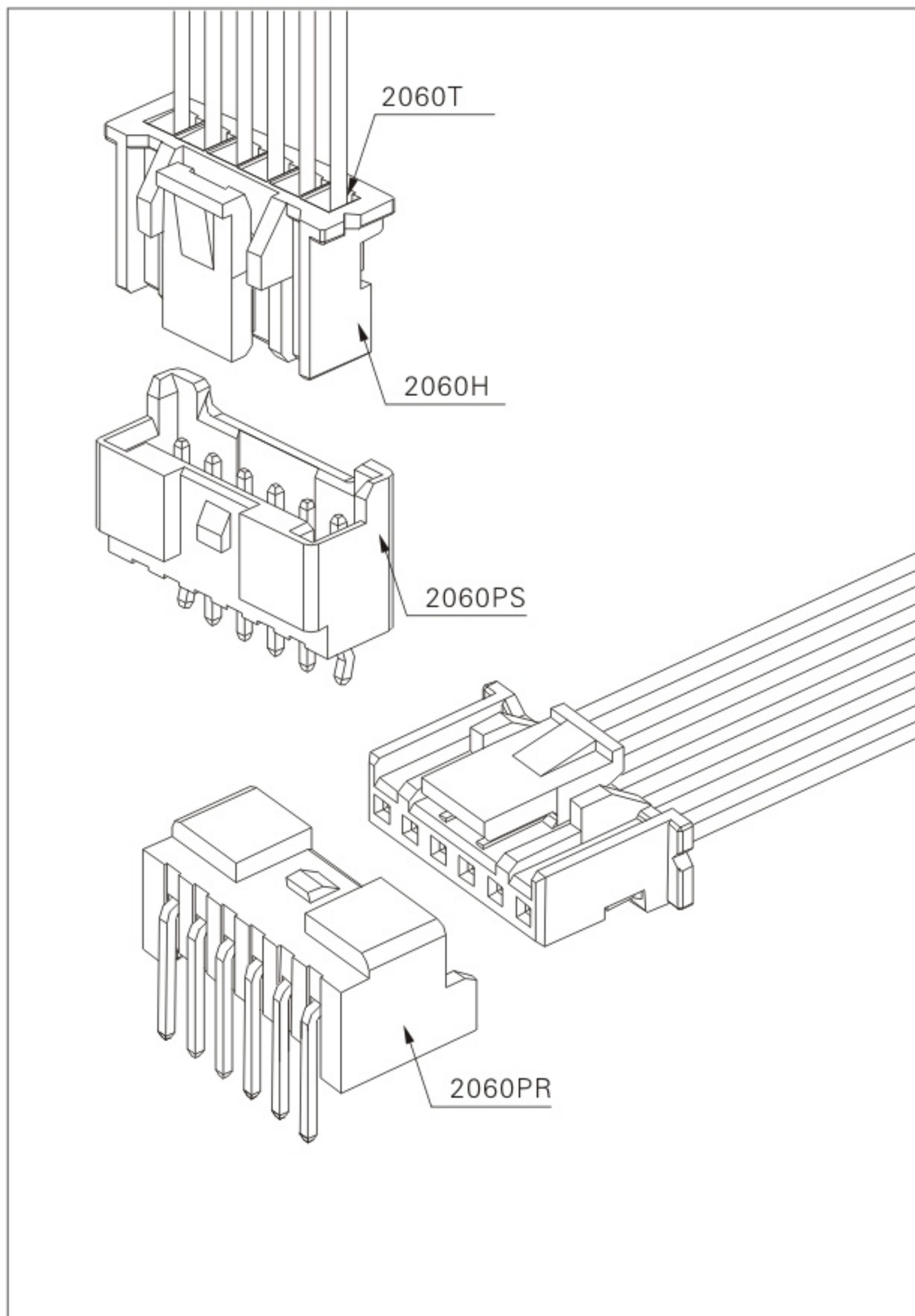


Specifications

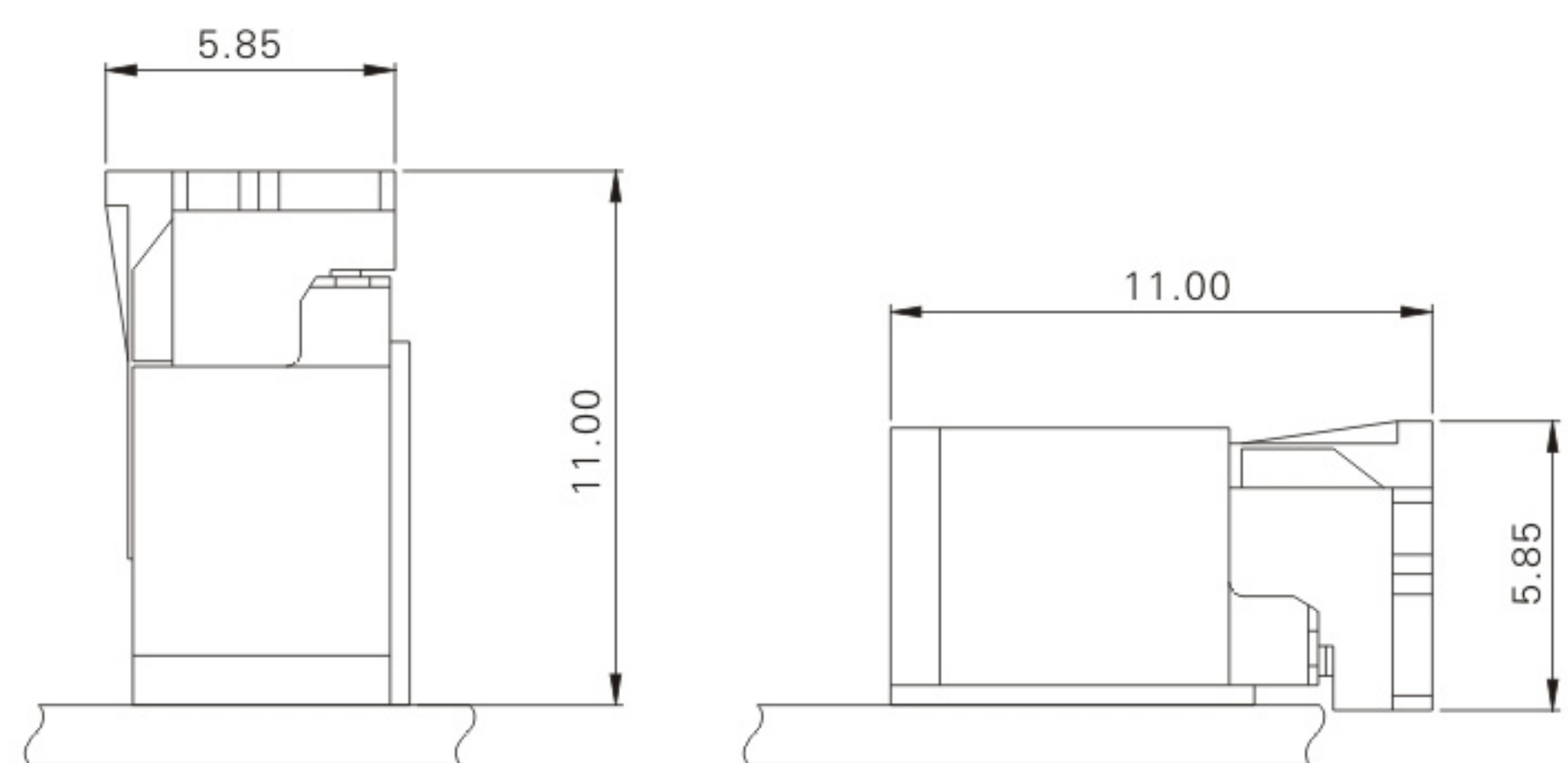
Current rating: 3A AC,DC

Voltage rating: 100V AC,DC

Applicable wire range: AWG#22-28



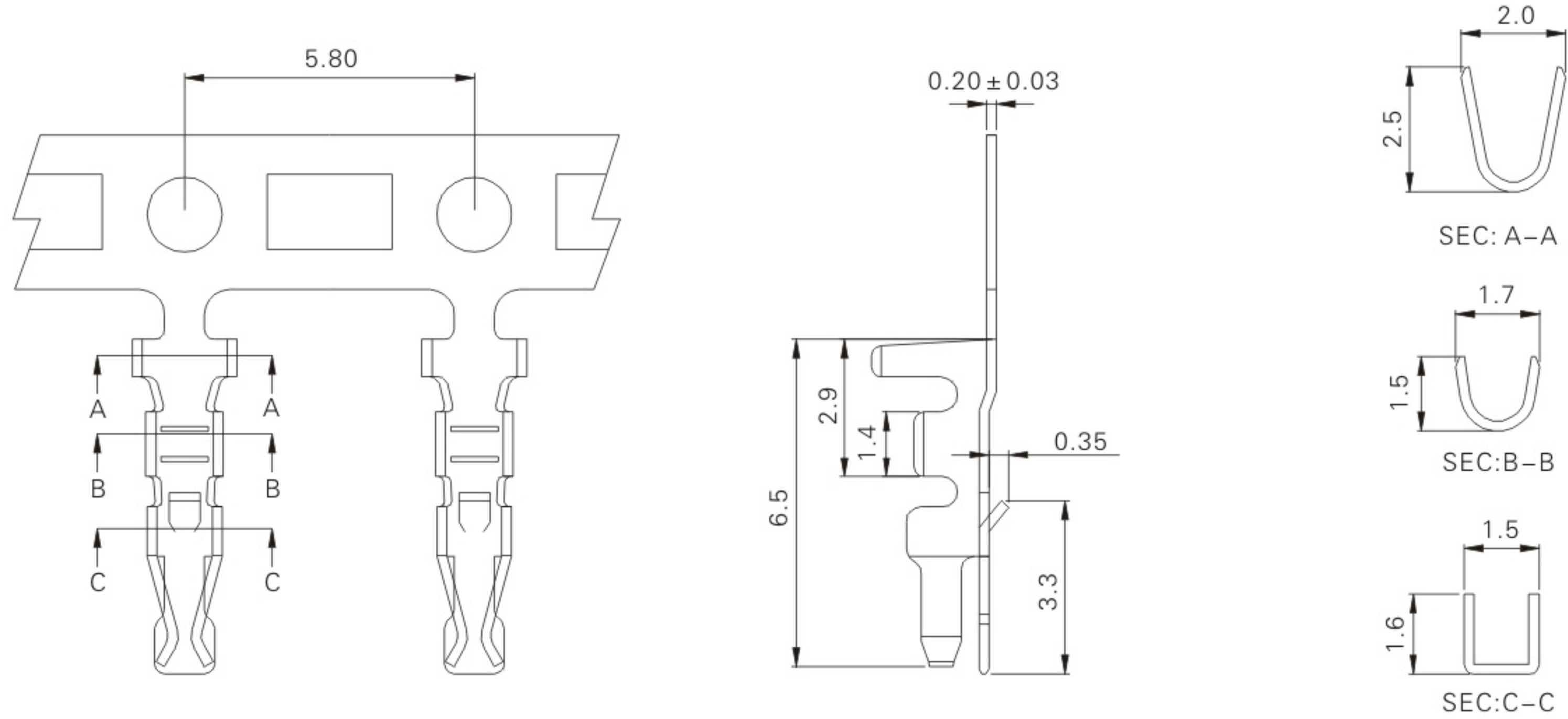
Assembly layout



2060-T (2.00mm pitch crimp terminal)

Reference Informations:

- *Thickness:0.2mm
- *Mat'l: Phosphor Bronze Tin Plated
- *Mates With: 2060H series Housing



Ordering Information & Specifications

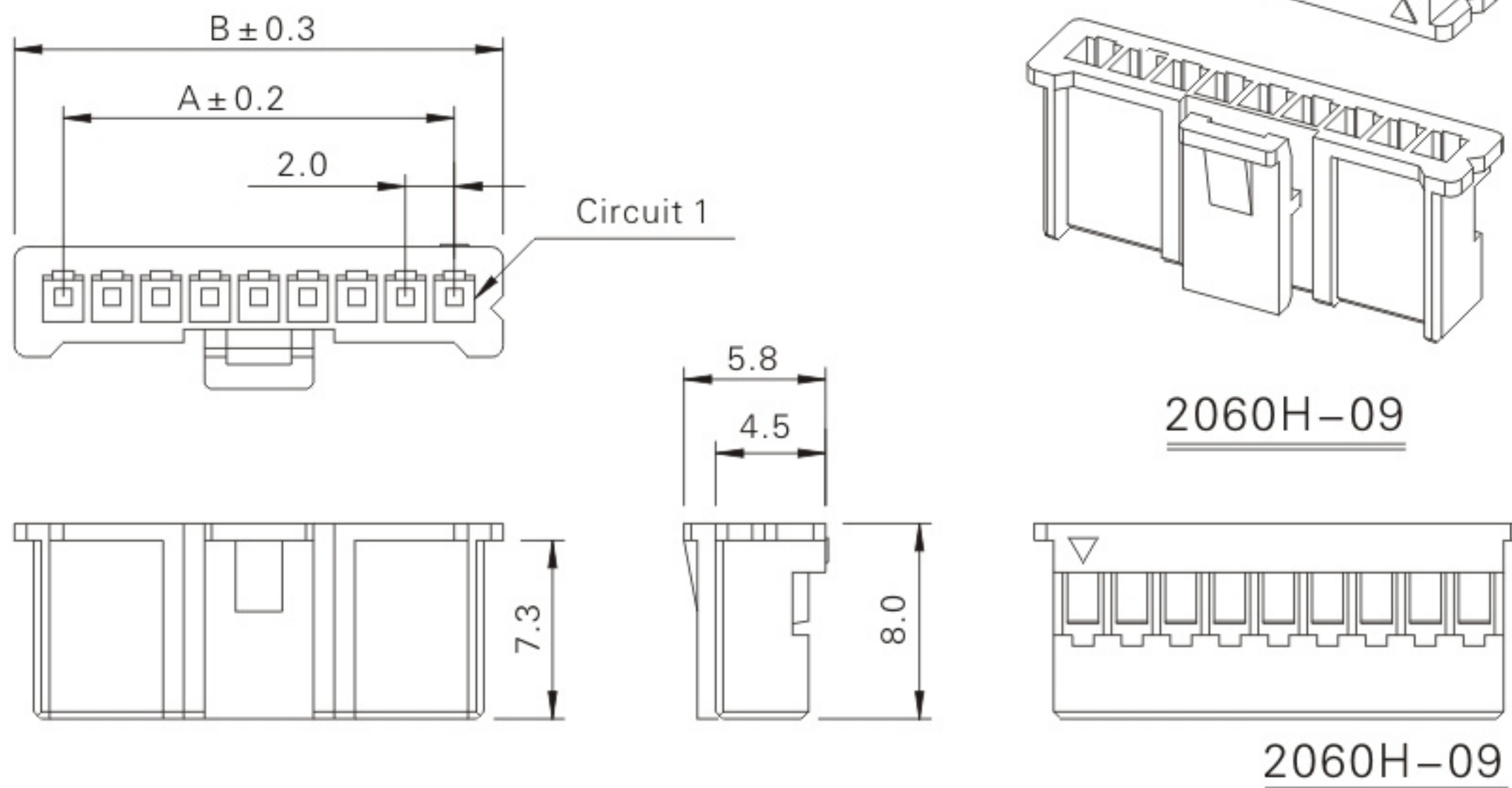
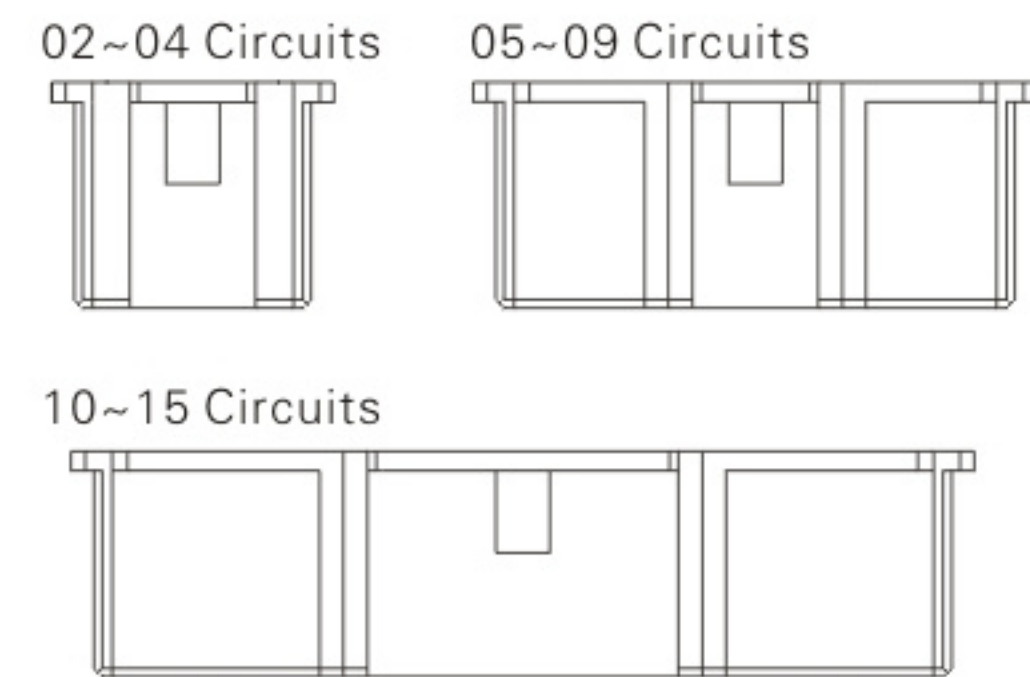
Unit: mm

Part No.	Wire Range	Insulation O.D.	Material	Finish	Qty/reel
2060P	AWG#22-#28	1.50mm(max)	Phosphor Bronze	Tin-plated	10,000pcs

2060H-NP (2.00mm pitch crimp housing)

Reference Informations:

- *Mat'l: Nylon 66 UL94V-0
- *Mates With: 2060-T series Terminal
- *Accepts With: 2060PS & 2060PR series Wafer



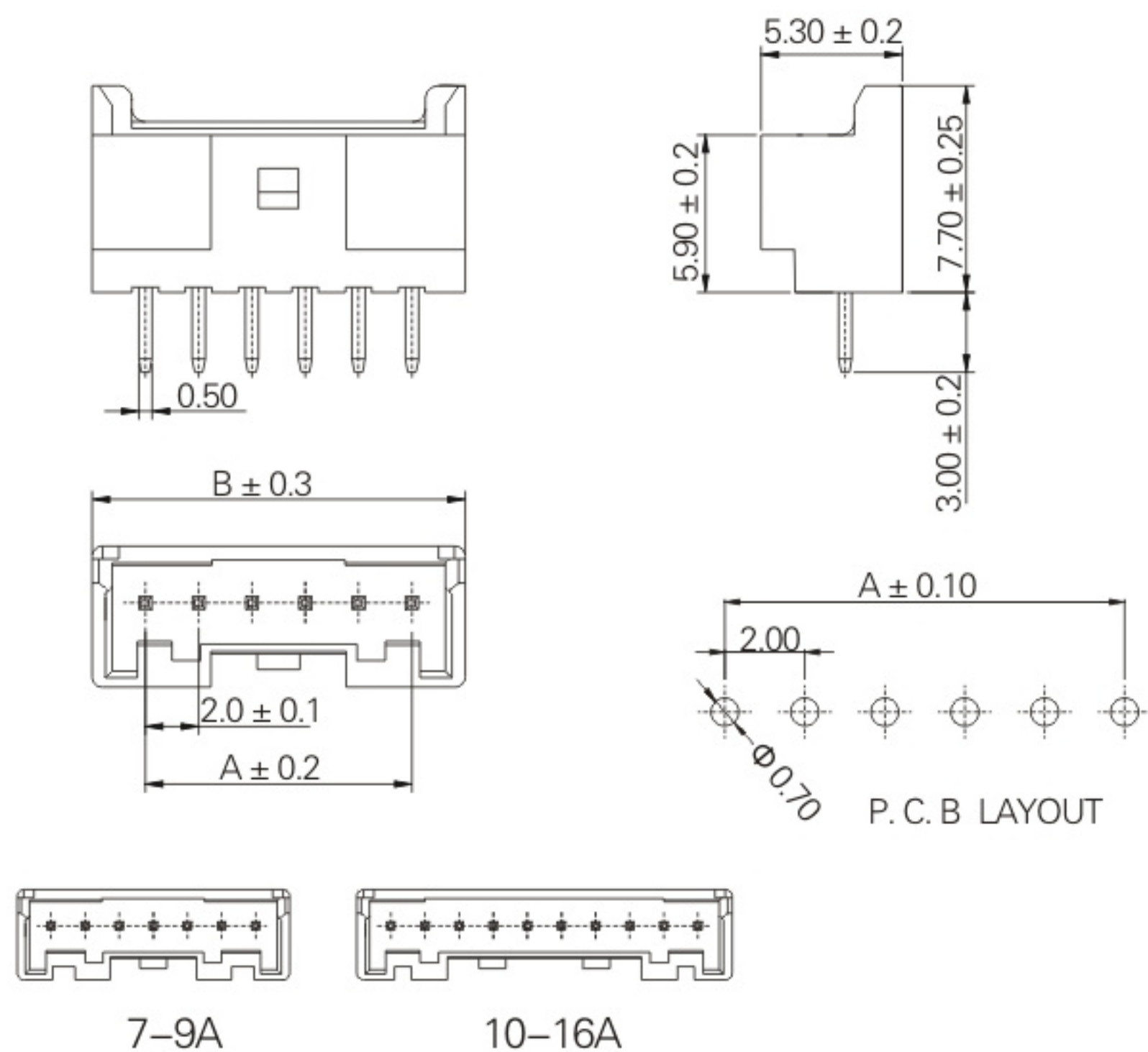
Ordering Information & Dimensions

Circuits	Part No.	DIM.(mm)	
		A	B
02	2060H-02P-A	2.00	6.00
03	2060H-03P-A	4.00	8.00
04	2060H-04P-A	6.00	10.00
05	2060H-05P-A	8.00	12.00
06	2060H-06P-A	10.00	14.00
07	2060H-07P-A	12.00	16.00
08	2060H-08P-A	14.00	18.00
09	2060H-09P-A	16.00	20.00
10	2060H-10P-A	18.00	22.00
11	2060H-11P-A	20.00	24.00
12	2060H-12P-A	22.00	26.00
13	2060H-13P-A	24.00	28.00
14	2060H-14P-A	26.00	30.00
15	2060H-15P-A	28.00	32.00

2060PS-NP(DIP) (2.00mm pitch 180° wafer)

Reference Informations:

- *Material: Pin Brass/Tin-plated
Water: Nylon 66, UL 94V-0
- *Mates with: 2060H series Housing



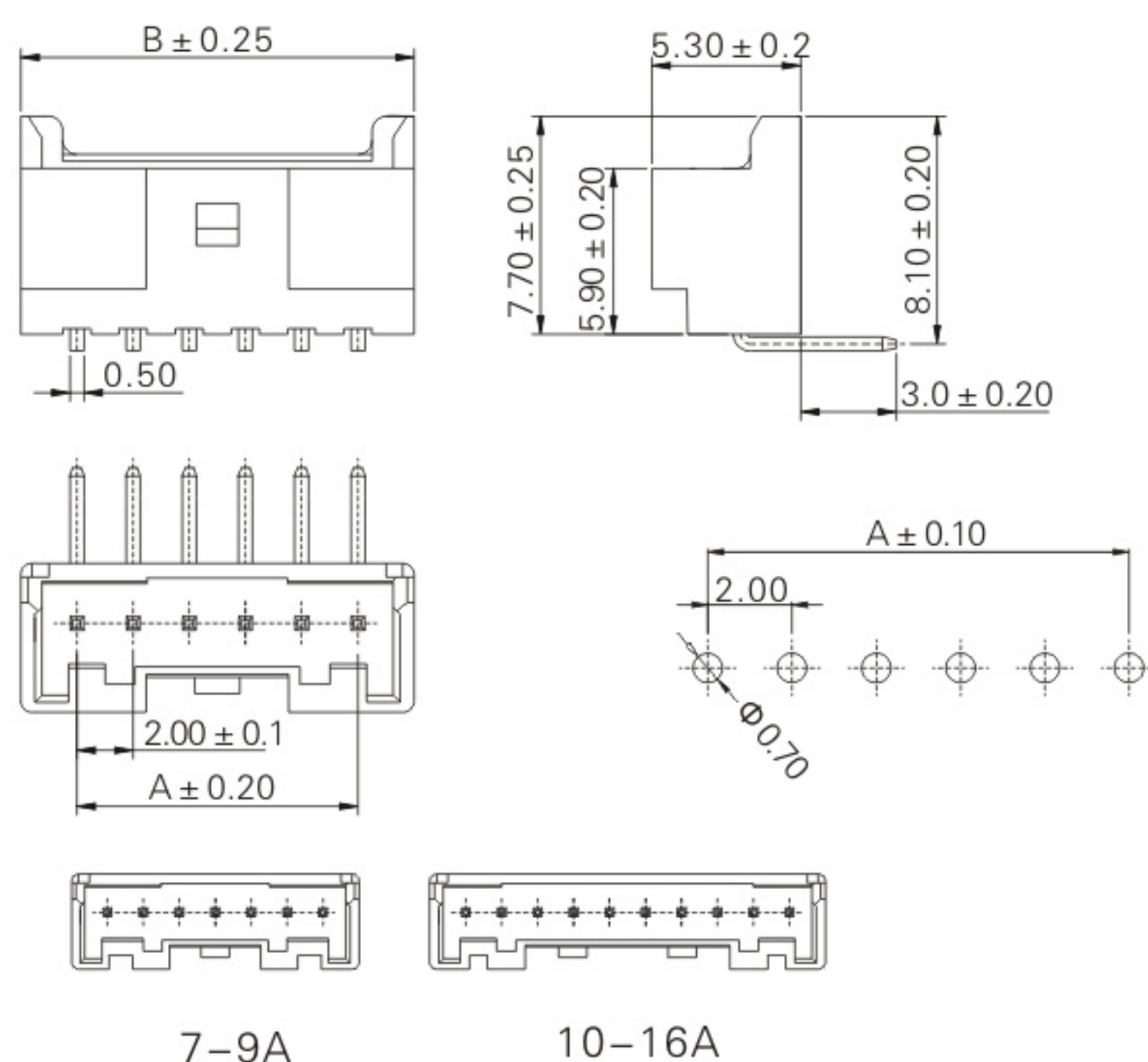
Ordering Information & Dimensions

Part No.	DIM.(mm)	
	A	B
2060PS-02	2.0	4.0
2060PS-03	4.0	8.0
2060PS-04	6.0	10.00
2060PS-05	8.0	12.00
2060PS-06	10.0	14.00
2060PS-07	12.0	16.00
2060PS-08	14.0	18.00
2060PS-09	16.0	20.00
2060PS-10	18.0	22.00
2060PS-11	20.0	24.00
2060PS-12	22.0	26.00
2060PS-16	30.00	28.00

2060PR-NP(DIP) (2.00mm pitch 180° wafer)

Reference Informations:

- *Material: Pin Brass/Tin-plated
Water: Nylon 66, UL 94V-0
- *Mates with: 2060H series Housing



Ordering Information & Dimensions

Part No.	DIM.(mm)	
	A	B
2060PR-02	2.0	4.0
2060PR-03	4.0	8.0
2060PR-04	6.0	10.00
2060PR-05	8.0	12.00
2060PR-06	10.0	14.00
2060PR-07	12.0	16.00
2060PR-08	14.0	18.00
2060PR-09	16.0	20.00
2060PR-10	18.0	22.00
2060PR-11	20.0	24.00
2060PR-12	22.0	26.00

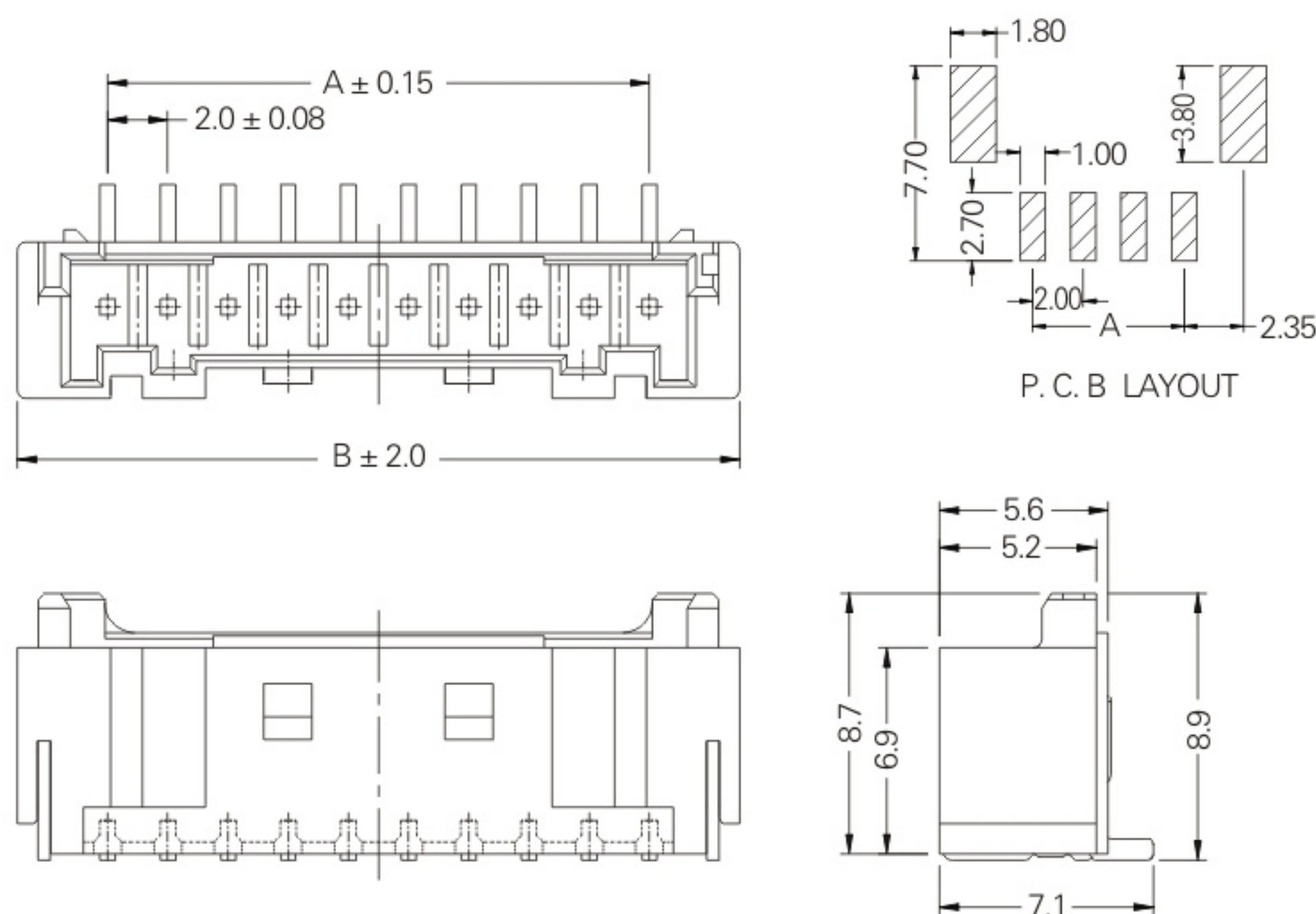
2060PS-NP-SMT (2.00mm pitch 180° wafer)

Reference Informations:

*Material: Pin Brass/Tin-plated

Water: Nylon 66, UL 94V-0

*Mates with: 2060H series Housing



Ordering Information & Dimensions

Part No.	DIM.(mm)	
	A	B
2060PS-02-SMT	2.0	4.0
2060PS-03-SMT	4.0	8.0
2060PS-04-SMT	6.0	10.00
2060PS-05-SMT	8.0	12.00
2060PS-06-SMT	10.0	14.00
2060PS-07-SMT	12.0	16.00
2060PS-08-SMT	14.0	18.00
2060PS-09-SMT	16.0	20.00
2060PS-10-SMT	18.0	22.00
2060PS-11-SMT	20.0	24.00
2060PS-12-SMT	22.0	26.00
2060PS-16-SMT	30.00	28.00

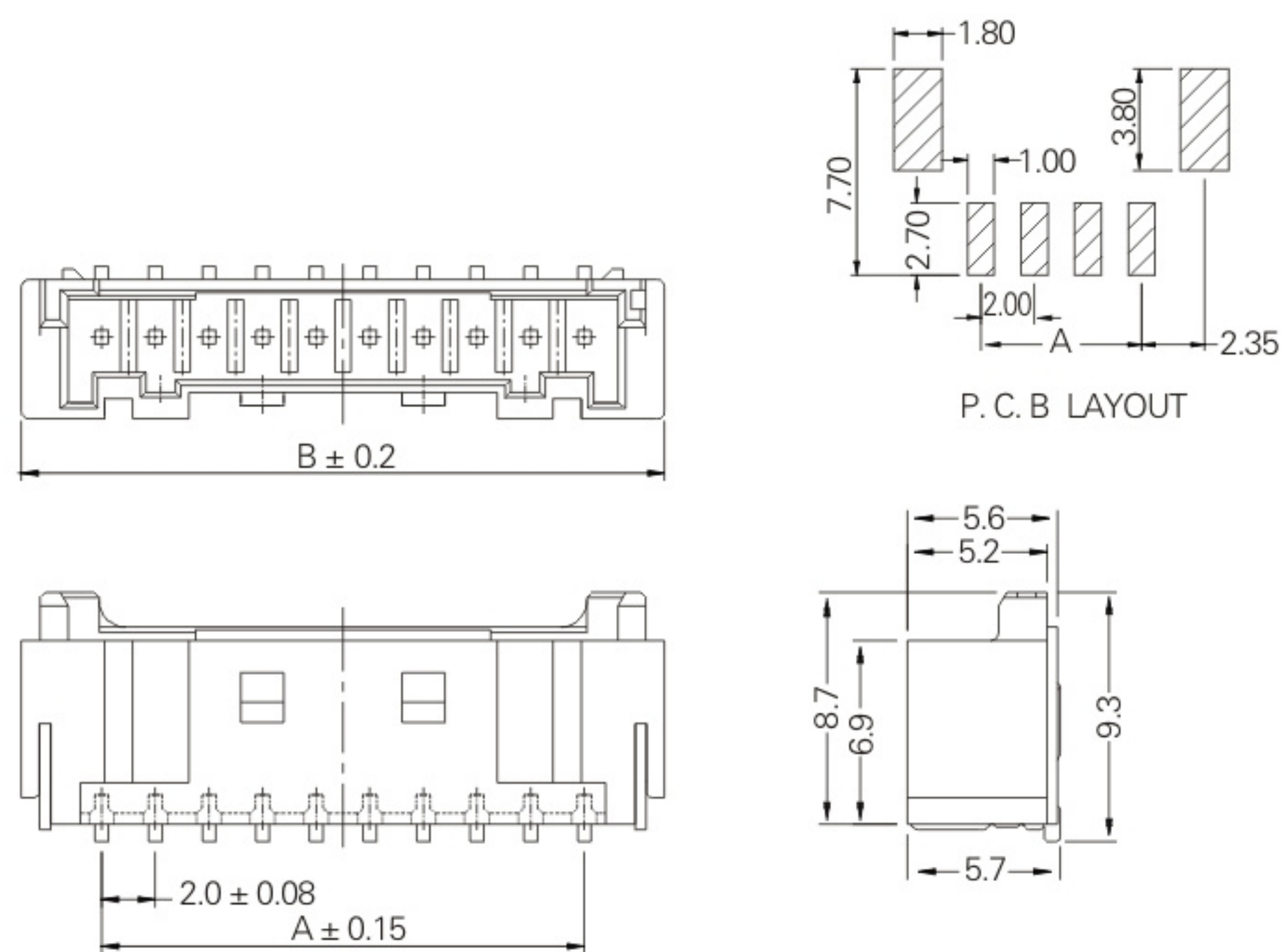
2060PR-NP-SMT (2.00mm pitch 180° wafer)

Reference Informations:

*Material: Pin Brass/Tin-plated

Water: Nylon 66, UL 94V-0

*Mates with: 2060H series Housing



Ordering Information & Dimensions

Part No.	DIM.(mm)	
	A	B
2060PR-02-SMT	2.0	8.0
2060PR-03-SMT	4.0	10.00
2060PR-04-SMT	6.0	12.00
2060PR-05-SMT	8.0	14.00
2060PR-06-SMT	10.0	16.00
2060PR-07-SMT	12.0	18.00
2060PR-08-SMT	14.0	20.00
2060PR-09-SMT	16.0	22.00
2060PR-10-SMT	18.0	24.00
2060PR-11-SMT	20.0	26.00
2060PR-12-SMT	22.0	28.00
2060PR-13-SMT	24.0	30.00
2060PR-14-SMT	26.0	32.00
2060PR-15-SMT	28.0	34.00