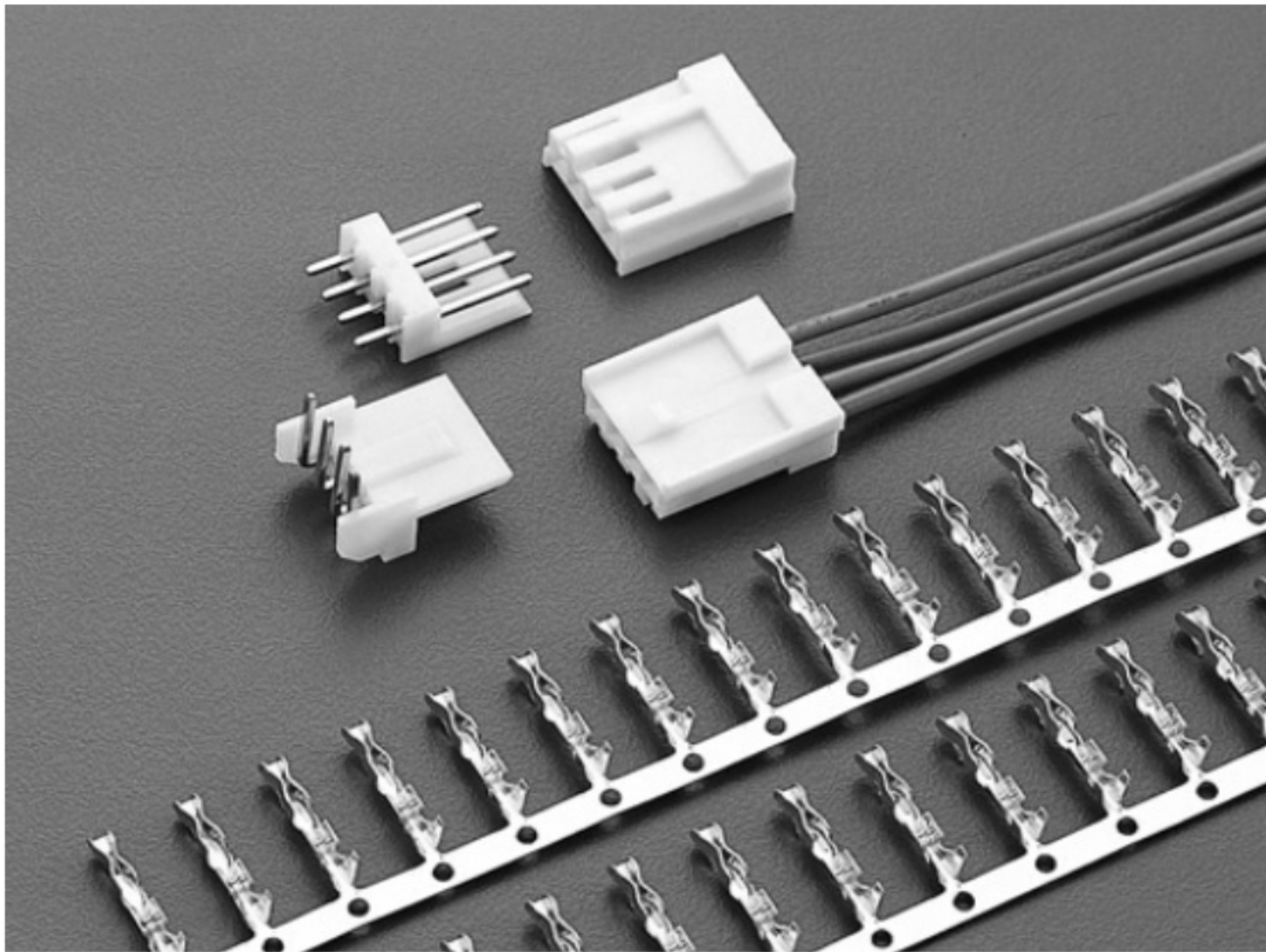


2542H SERIES

2.50mm PITCH WIRE TO BOARD CONNECTOR



Specifications

Current Rating: 3A AC,DC

Voltage Rating: 250V AC,DC

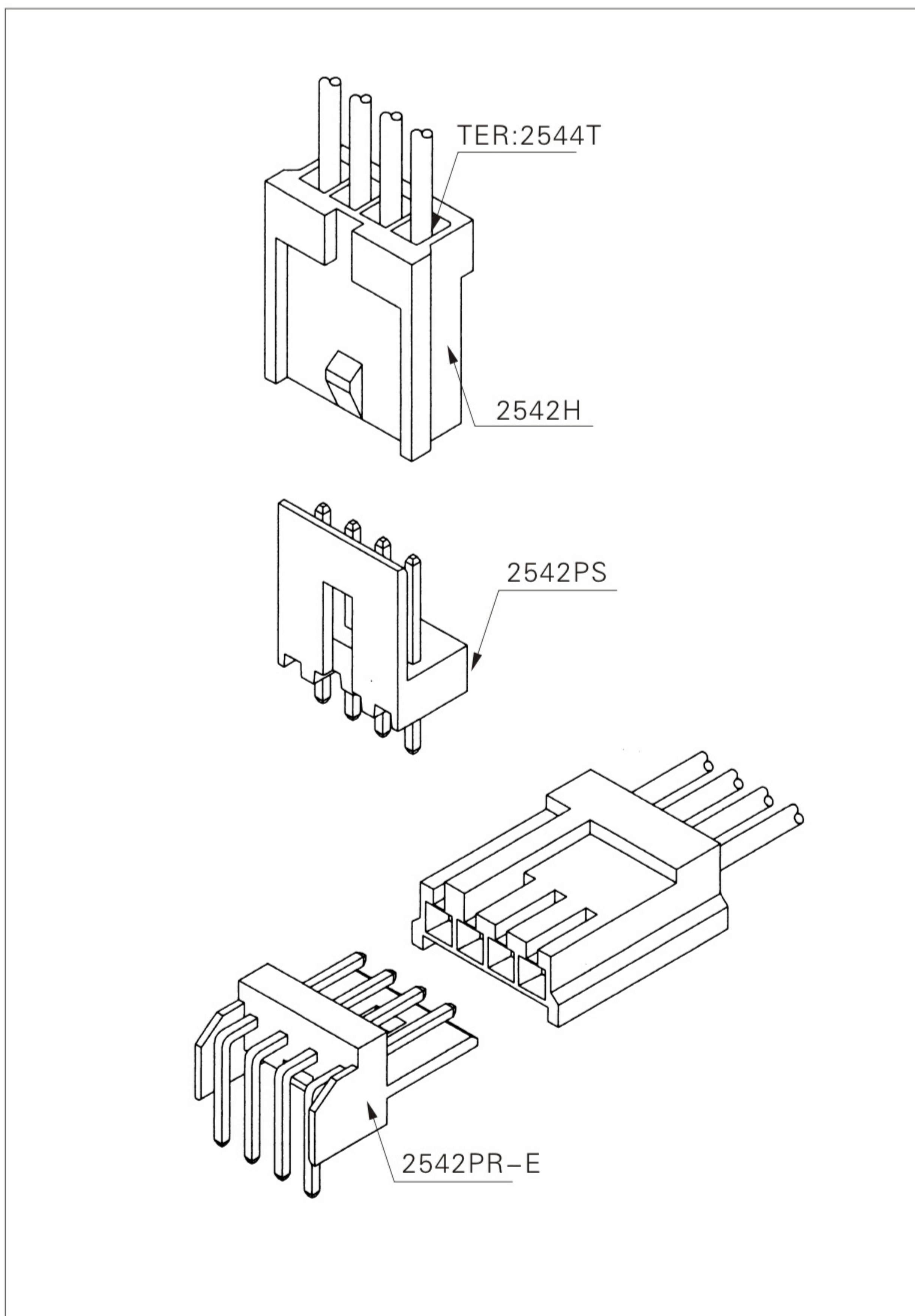
Temperature Range: -25°C~+85°C

Contact Resistance: 20mΩ Max.

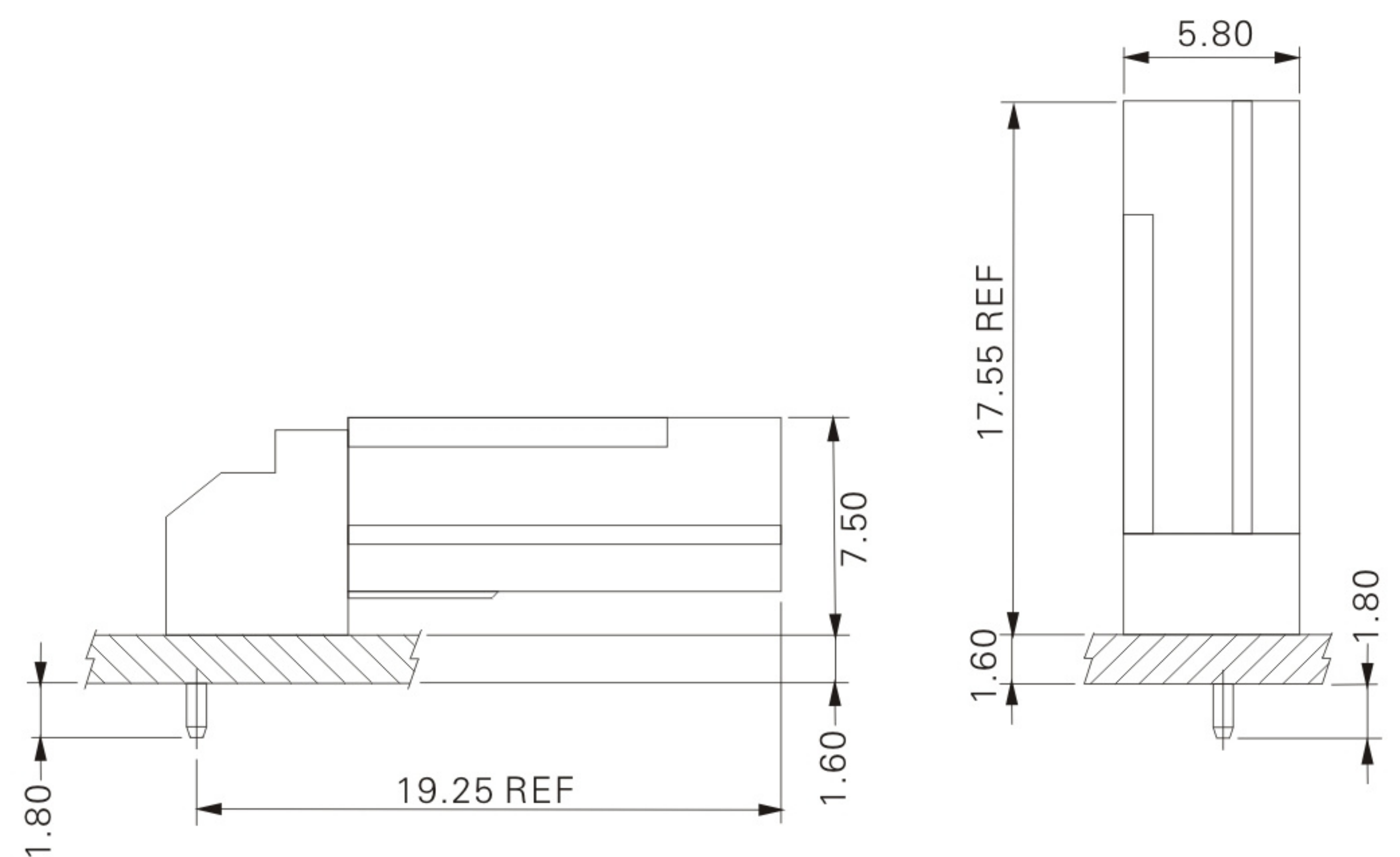
Insulation Resistance: 500MΩ Min.

Withstanding Voltage: 1000V AC/minute

Applicable wire: AWG#22-#28



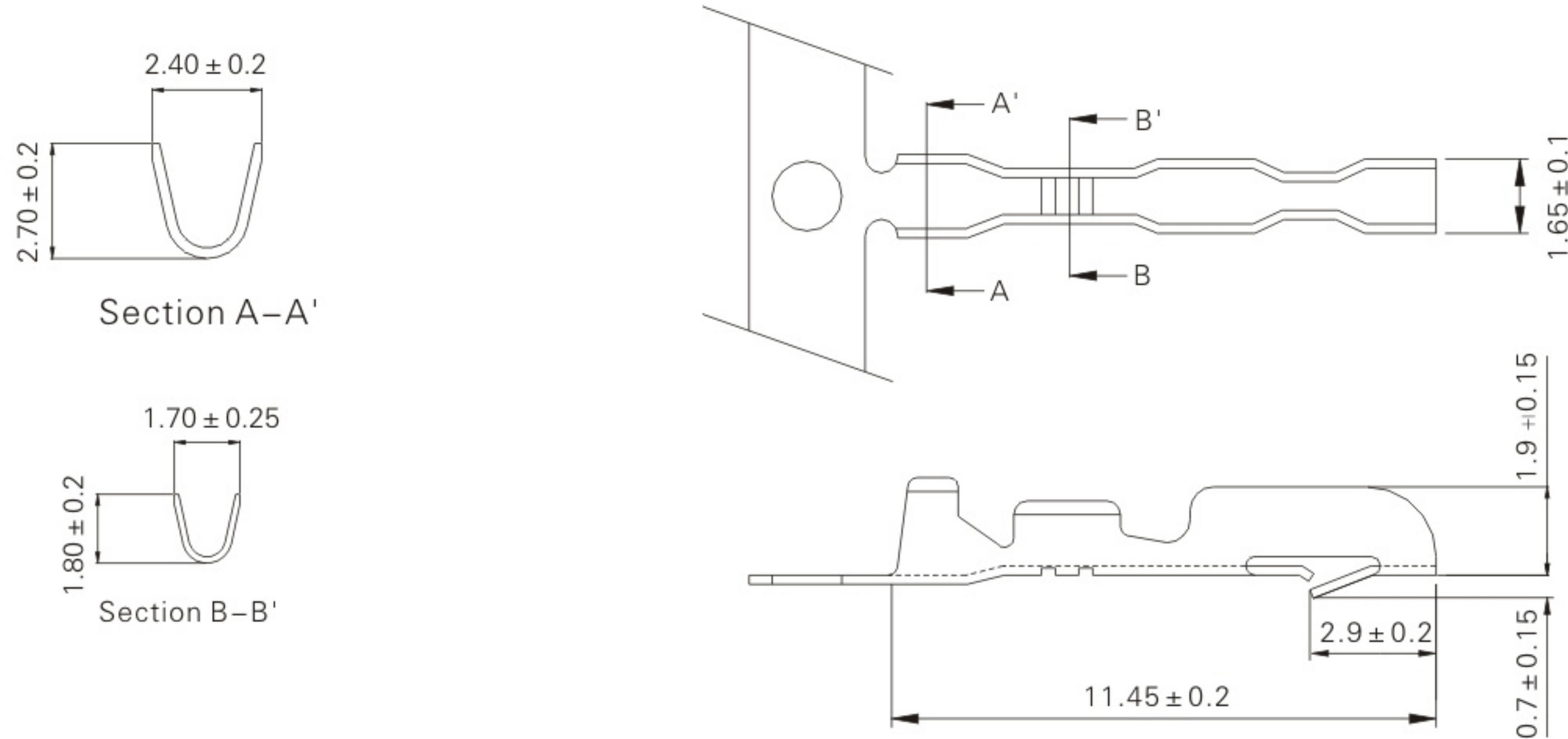
Assembly layout



2544-T (2.50mm pitch crimp terminal)

Reference Informations:

*Used in 2542H series Housing



Ordering Information & Specifications

Unit: mm

Part No.	Wire Range	Insulation O.D.	Material	Finish	Qty/reel
2544T	AWG#22-#28	1.5mm(max)	Brass	Tin-plated	10,000pcs
2544P	AWG#22-#28	1.5mm(max)	Phosphor bronze	Tin-plated	10,000pcs

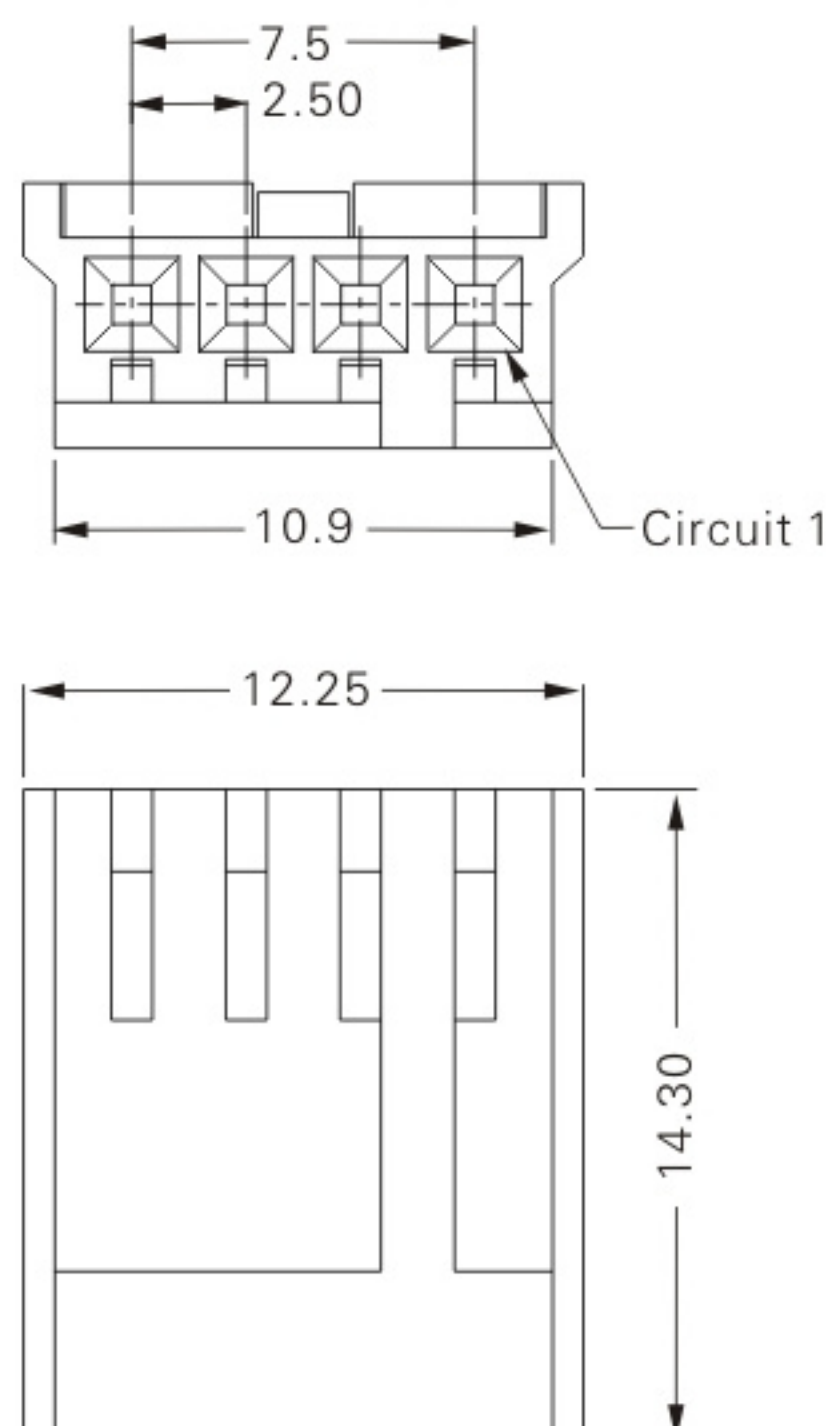
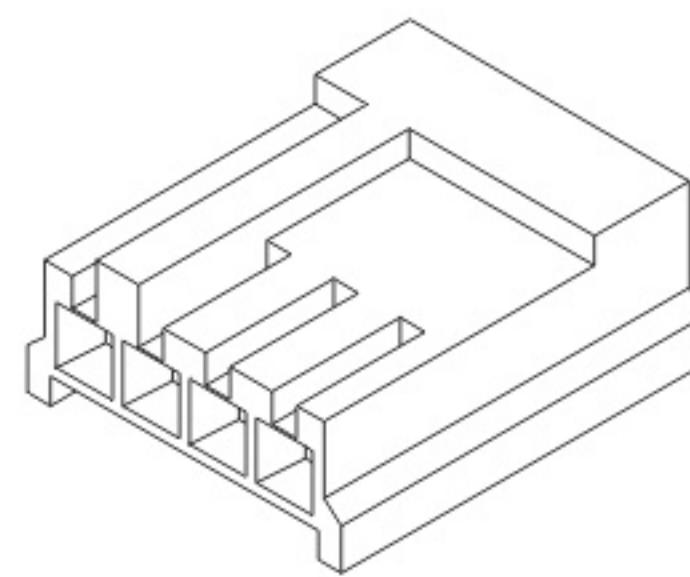
2542H-NP (2.50mm pitch crimp housing)

Reference Informations:

*Material:Nylon 66,UL94V-0

*Suitable 2544-T series Terminal

*Mates with 2542PS 2542PR series Wafer



Ordering Information & Dimensions

Circuits	Part No.	DIM.(mm)		
		A	B	C
02	2542H-02P	2.50	7.25	5.90
03	2542H-03P	5.00	9.75	8.40
04	2542H-04P	7.50	12.25	10.90
05	2542H-05P	10.00	14.75	13.40
06	2542H-06P	12.50	17.25	15.90
07	2542H-07P	15.00	19.75	18.40
08	2542H-08P	17.50	22.25	20.90
09	2542H-09P	20.00	24.75	23.40
10	2542H-10P	22.50	27.25	25.90
11	2542H-11P	25.00	29.75	28.40
12	2542H-12P	27.50	32.25	30.90
13	2542H-13P	30.00	34.75	33.40
14	2542H-14P	32.50	37.25	35.90
15	2542H-15P	35.00	39.75	38.40

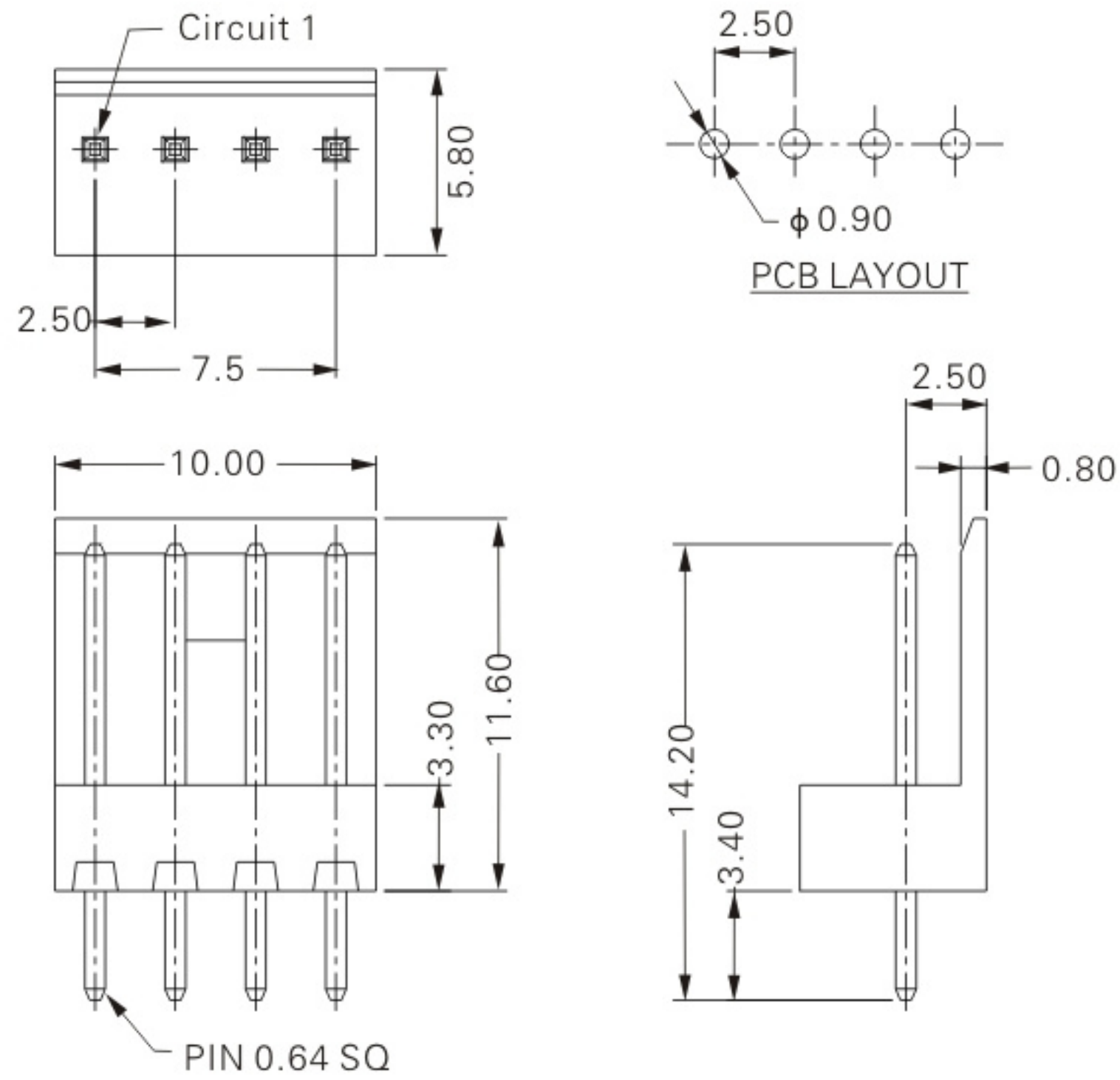
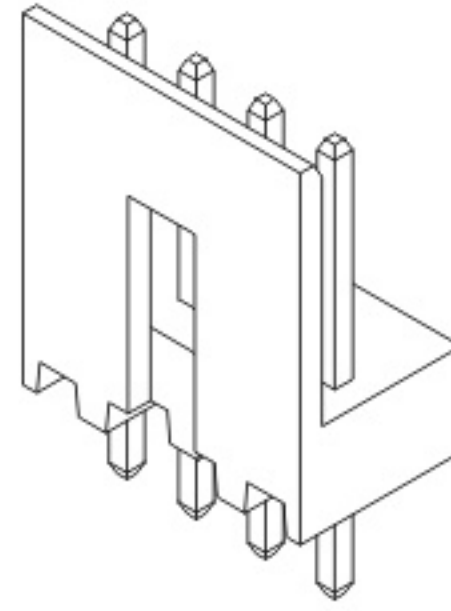
2542PS-NP (2.50mm pitch 180° wafer)

Reference Informations:

*Material:Pin:Brass/Tin-plated

Wafer:Nylon 66,UL94V-0

*Mates with 2542H series Housing



Ordering Information & Dimensions

Circuits	Part No.	DIM.(mm)	
		A	B
02	2542PS-02P	2.50	5.00
03	2542PS-03P	5.00	7.50
04	2542PS-04P	7.50	10.00
05	2542PS-05P	10.00	12.50
06	2542PS-06P	12.50	15.00
07	2542PS-07P	15.00	17.50
08	2542PS-08P	17.50	20.00
09	2542PS-09P	20.00	22.50
10	2542PS-10P	22.50	25.00
11	2542PS-11P	25.00	27.50
12	2542PS-12P	27.50	30.00
13	2542PS-13P	30.00	32.50
14	2542PS-14P	32.50	35.00
15	2542PS-15P	35.00	37.50

2542PR-NP (2.50mm pitch 90° wafer)

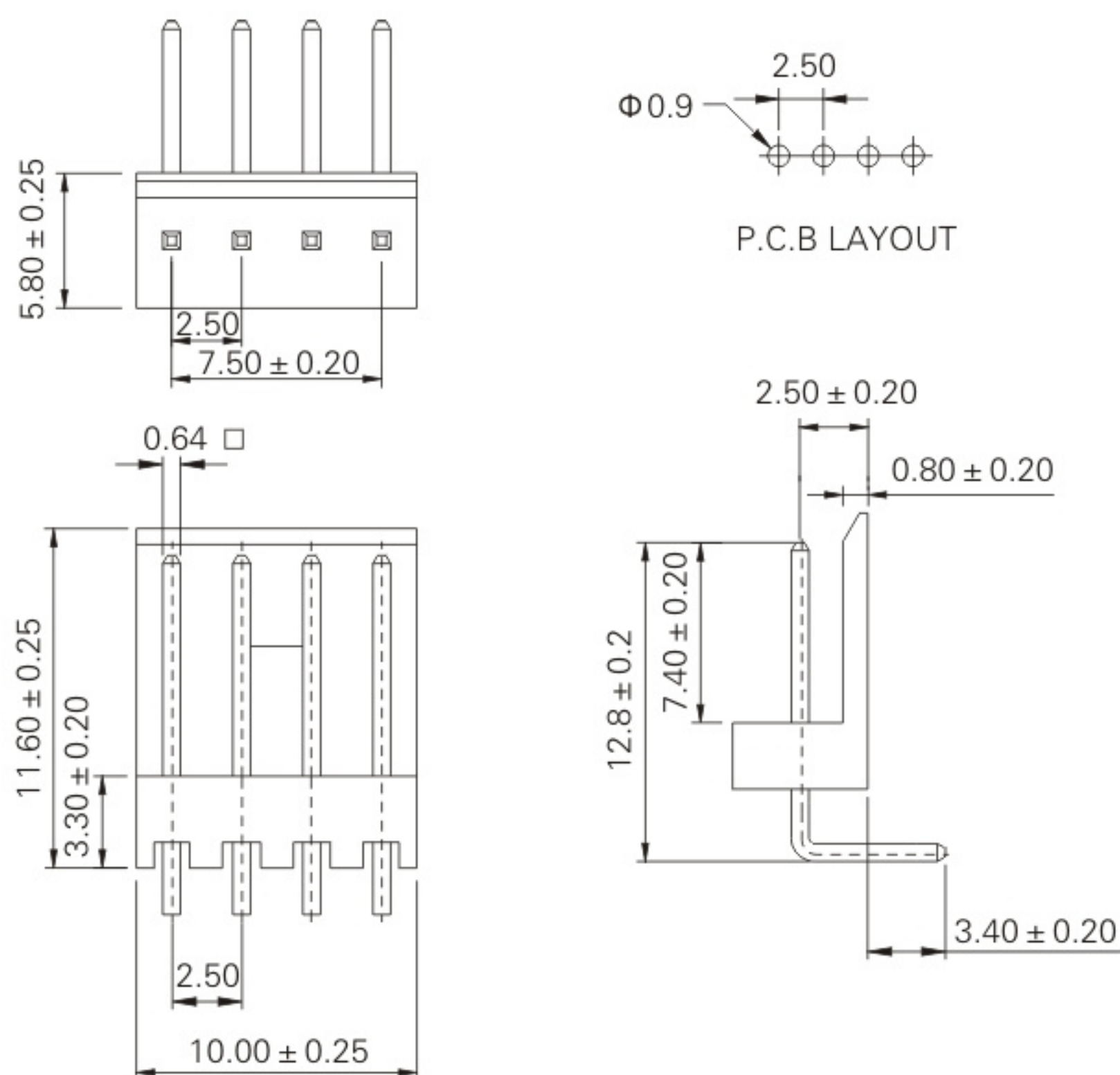
Reference Informations:

*Material:Nylon 66,UL94V-0

*Pins:Brass Tin Plated

*Mates with 2544 series Terminal

*Accepts with 2542H series Housing



Ordering Information & Dimensions

Circuits	Part No.	DIM.(mm)	
		A	B
03	2542PR-03	5.00	7.50
04	2542PR-04	7.50	10.00

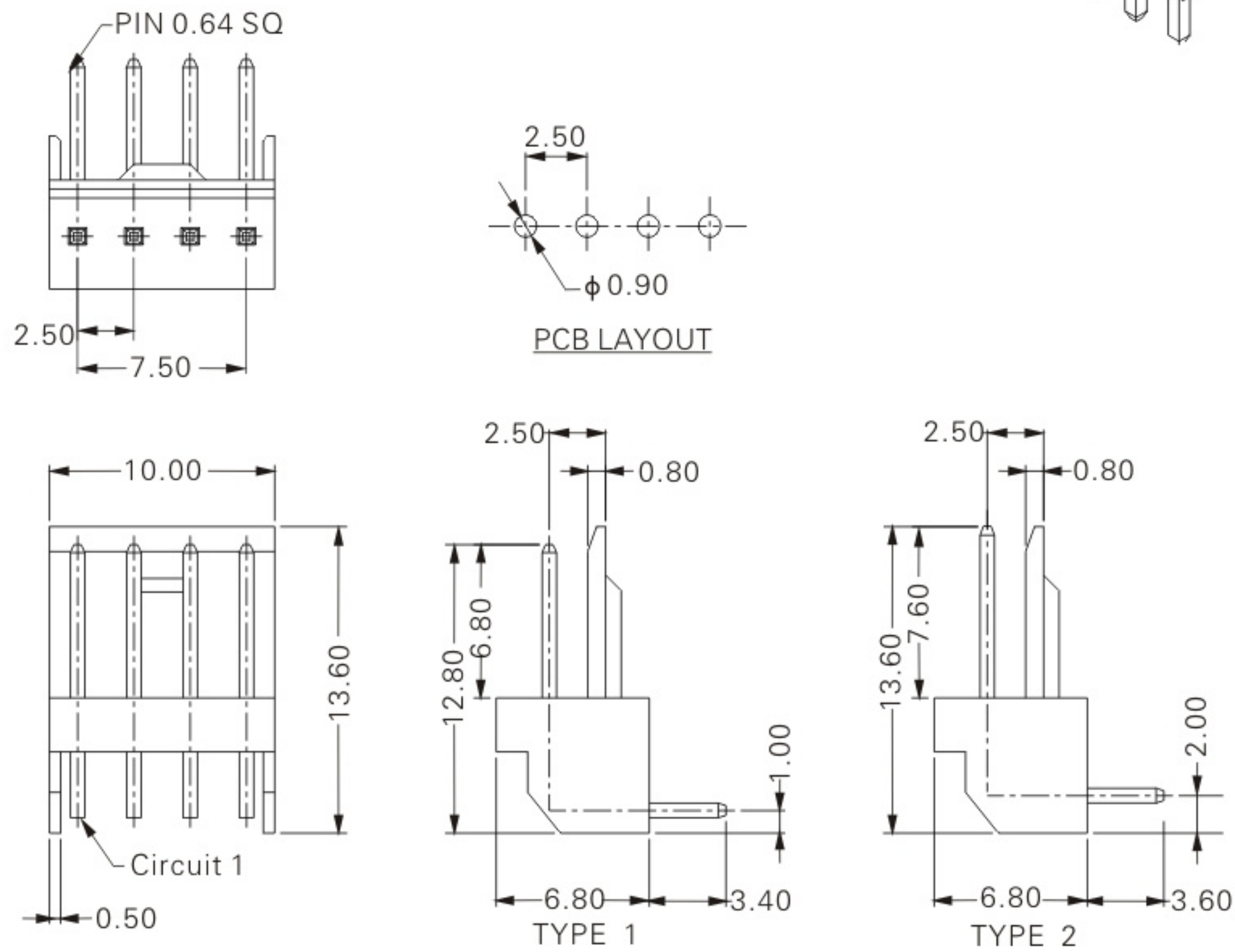
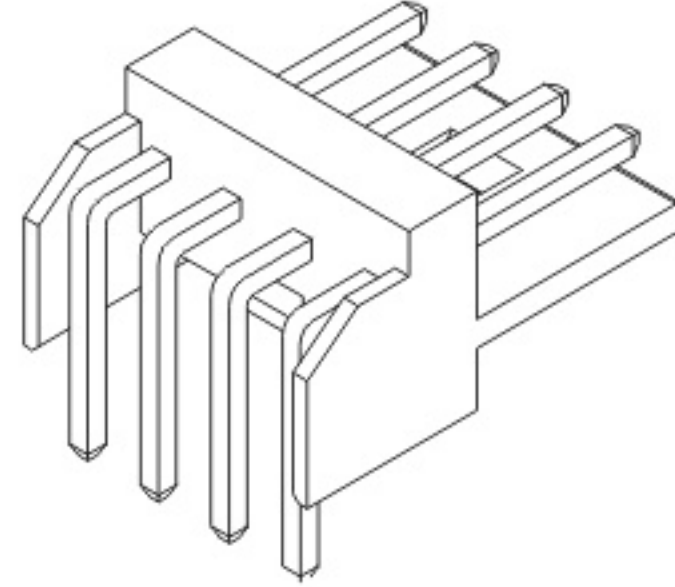
2542PR-NP-E (2.50mm pitch 90° wafer-E TYPE)

Reference Informations:

*Material:Pin:Brass/Tin-plated

Wafer:Nylon 66,UL94V-0

*Mates with 2542H series Housing



Ordering Information & Dimensions

Circuits	Part No.	DIM.(mm)	
		A	B
02	2542PR-02E	2.50	5.00
03	2542PR-03E	5.00	7.50
04	2542PR-04E	7.50	10.00
05	2542PR-05E	10.00	12.50
06	2542PR-06E	12.50	15.00
07	2542PR-07E	15.00	17.50
08	2542PR-08E	17.50	20.00
09	2542PR-09E	20.00	22.50
10	2542PR-10E	22.50	25.00
11	2542PR-11E	25.00	27.50
12	2542PR-12E	27.50	30.00
13	2542PR-13E	30.00	32.50
14	2542PR-14E	32.50	35.00
15	2542PR-15E	35.00	37.50