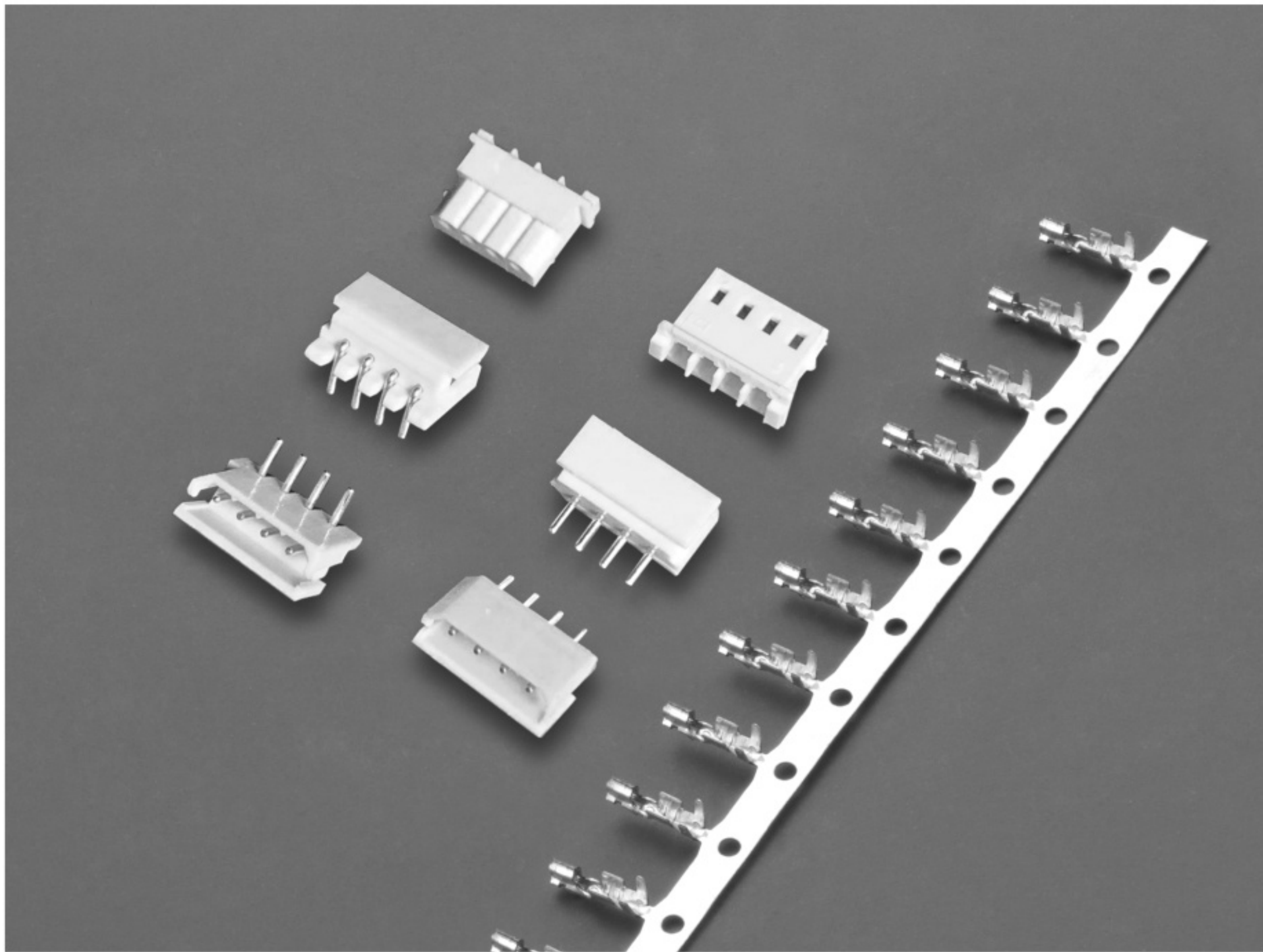


2580H SERIES

2.50mm PITCH WIRE TO BOARD CONNECTOR



Specifications

Current Rating: 3A AC,DC

Voltage Rating: 250V AC,DC

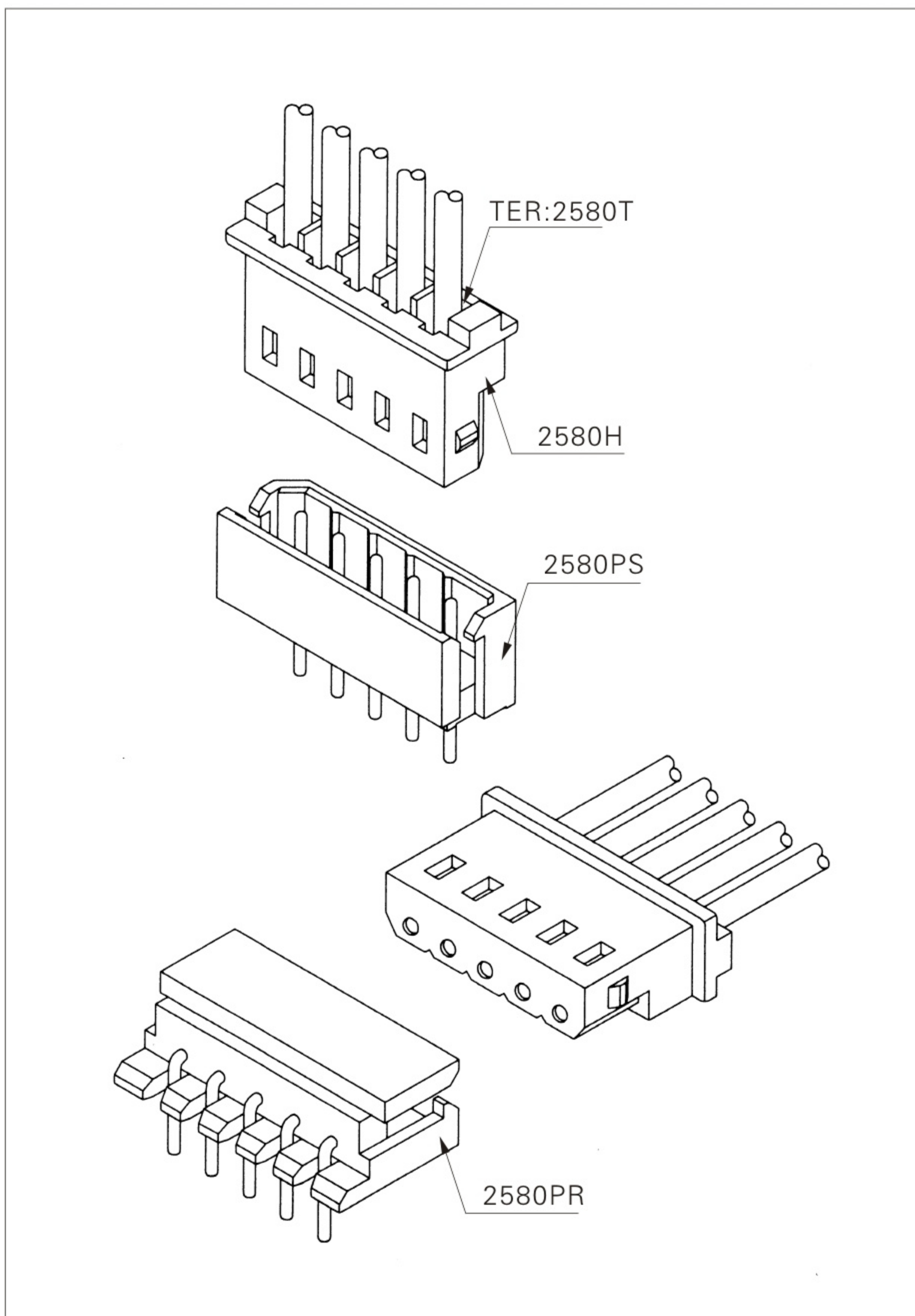
Temperature Range: -25°C~+85°C

Contact Resistance: 20mΩ Max.

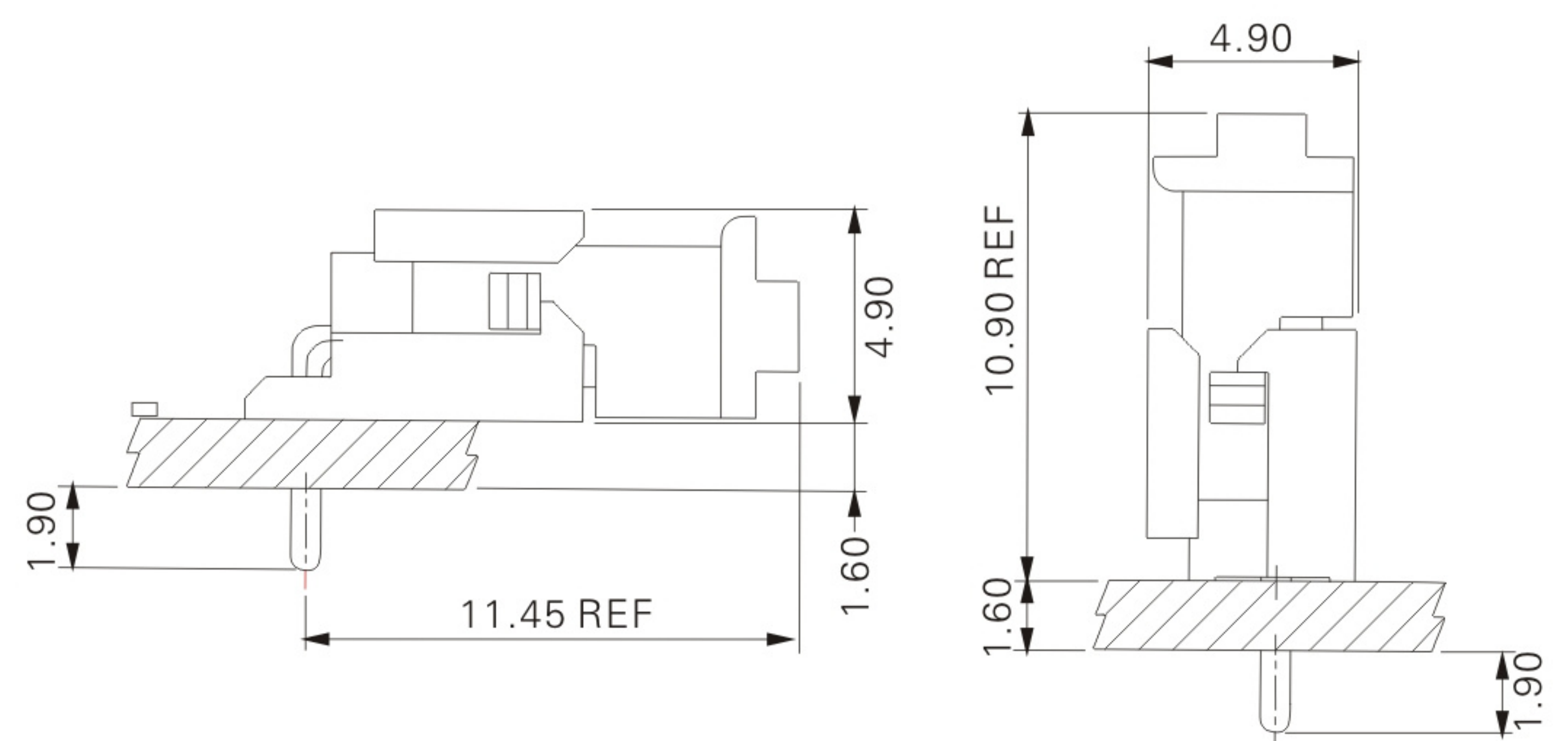
Insulation Resistance: 1000MΩ Min.

Withstanding Voltage: 800V AC/minute

Applicable Wire: AWG#22-#28



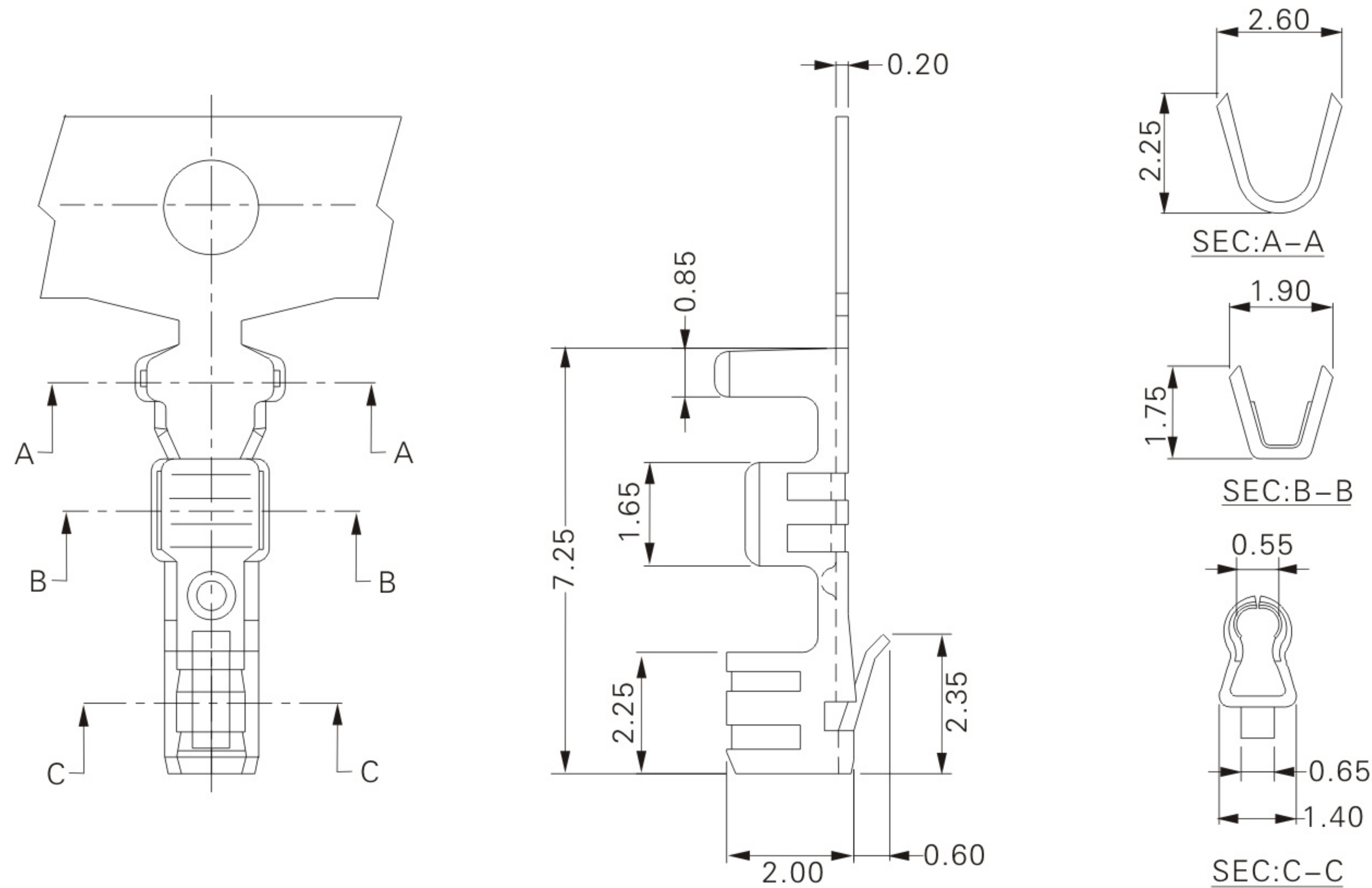
Assembly layout



2580-T (2.50mm pitch crimp terminal)

Reference Informations:

*Used in 2580H series Housing



Ordering Information & Specifications

Unit: mm

Part No.	Wire Range	Insulation O.D.	Material	Finish	Qty/reel
2580P	AWG#22-#28	1.8mm(max)	Phosphor Bronze	Tin-plated	10,000pcs

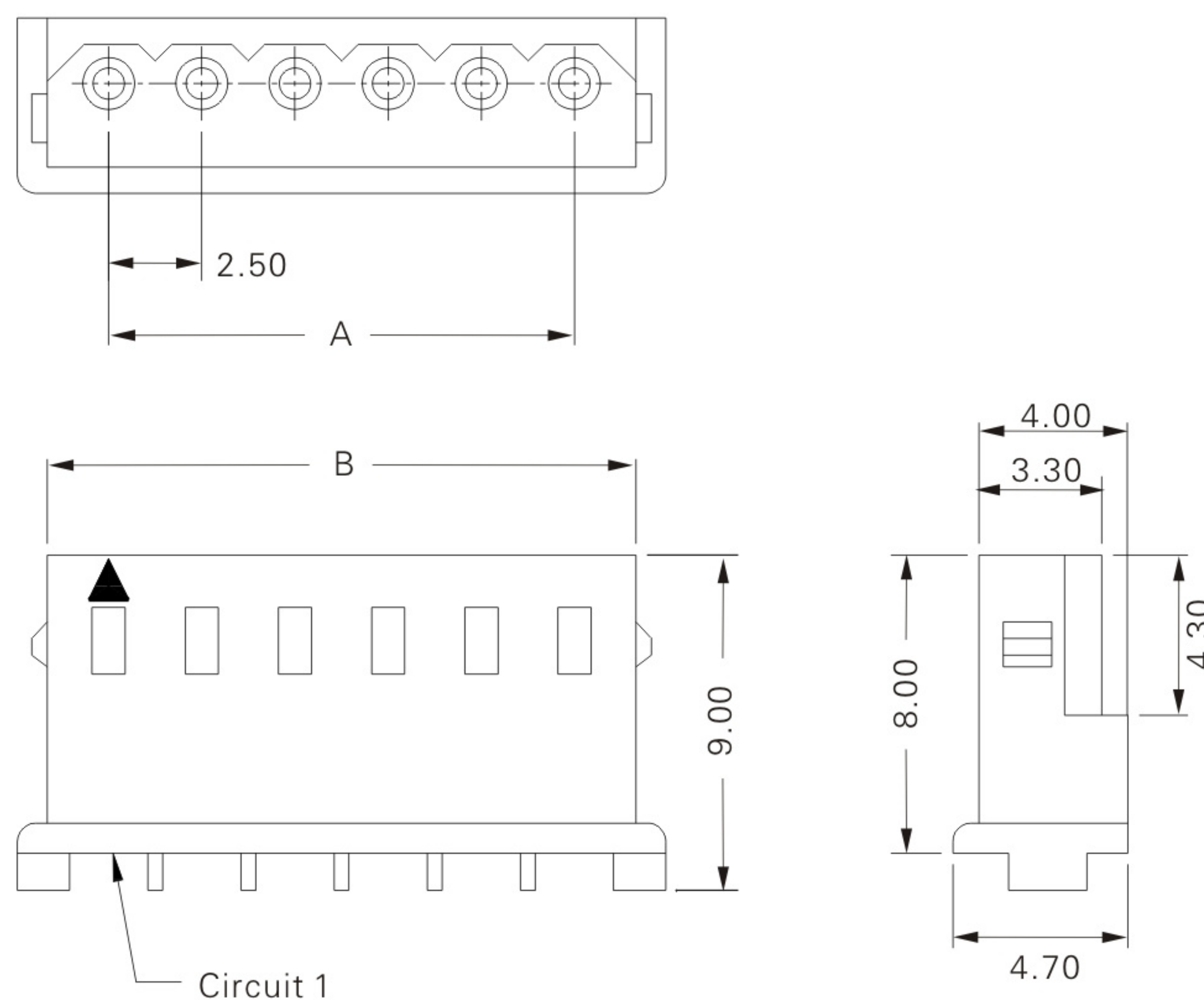
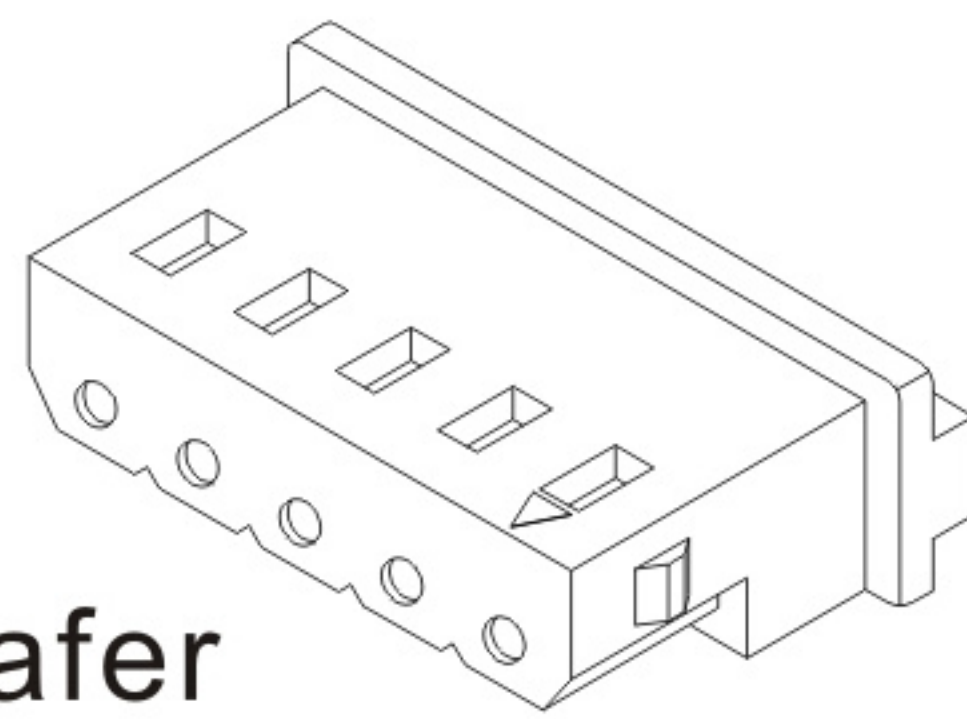
2580H-NP (2.50mm pitch crimp housing)

Reference Informations:

*Material:Nylon 66,UL94V-0

*Suitable 2580-Tseries Terminal

*Mates with 2580PS & 2580PR series Wafer



Ordering Information & Dimensions

Circuits	Part No.	DIM.(mm)	
		A	B
02	2580H-02P	2.50	7.50
03	2580H-03P	5.00	10.00
04	2580H-04P	7.50	12.50
05	2580H-05P	10.00	15.00
06	2580H-06P	12.50	17.50
07	2580H-07P	15.00	20.00
08	2580H-08P	17.50	22.50
09	2580H-09P	20.00	25.00
10	2580H-10P	22.50	27.50
11	2580H-11P	25.00	30.00
12	2580H-12P	27.50	32.50
13	2580H-13P	30.00	35.00
14	2580H-14P	32.50	37.50
15	2580H-15P	35.00	40.00
16	2580H-16P	37.50	42.50
17	2580H-17P	40.00	45.00
18	2580H-18P	42.50	47.50
19	2580H-19P	45.00	50.00
20	2580H-20P	47.50	52.50

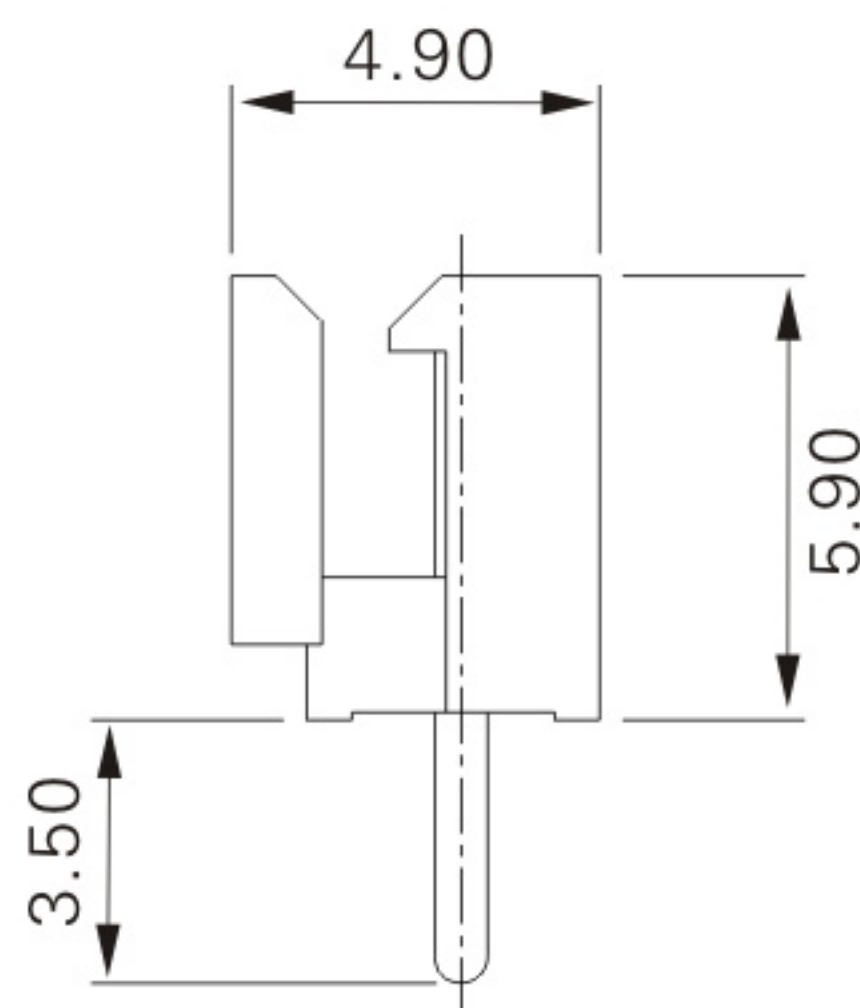
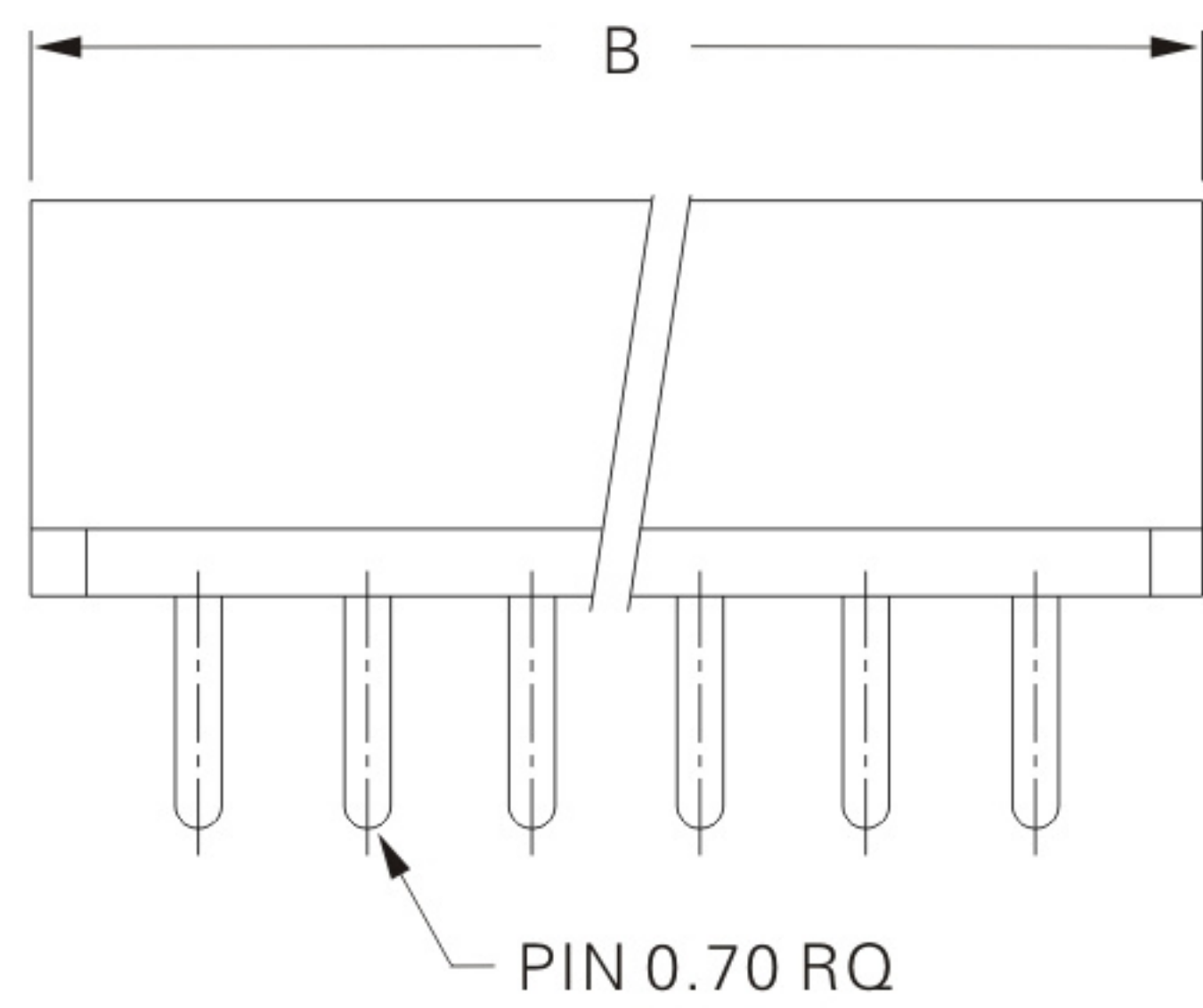
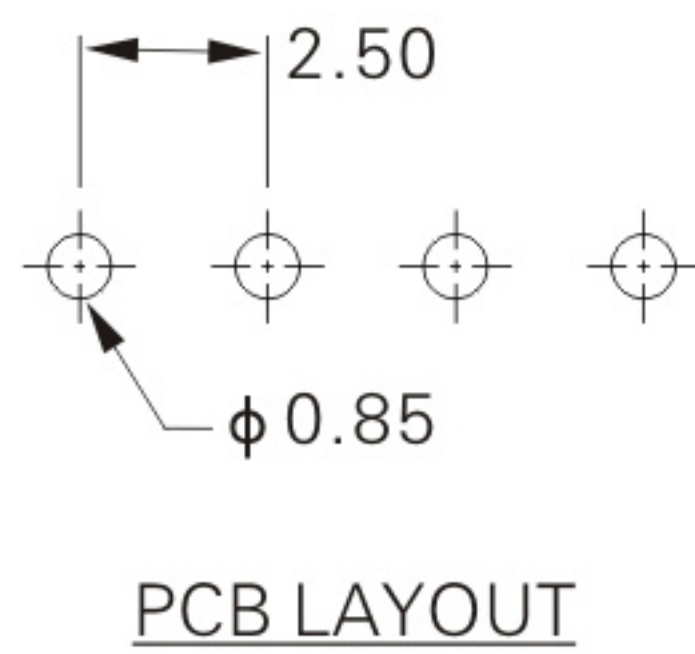
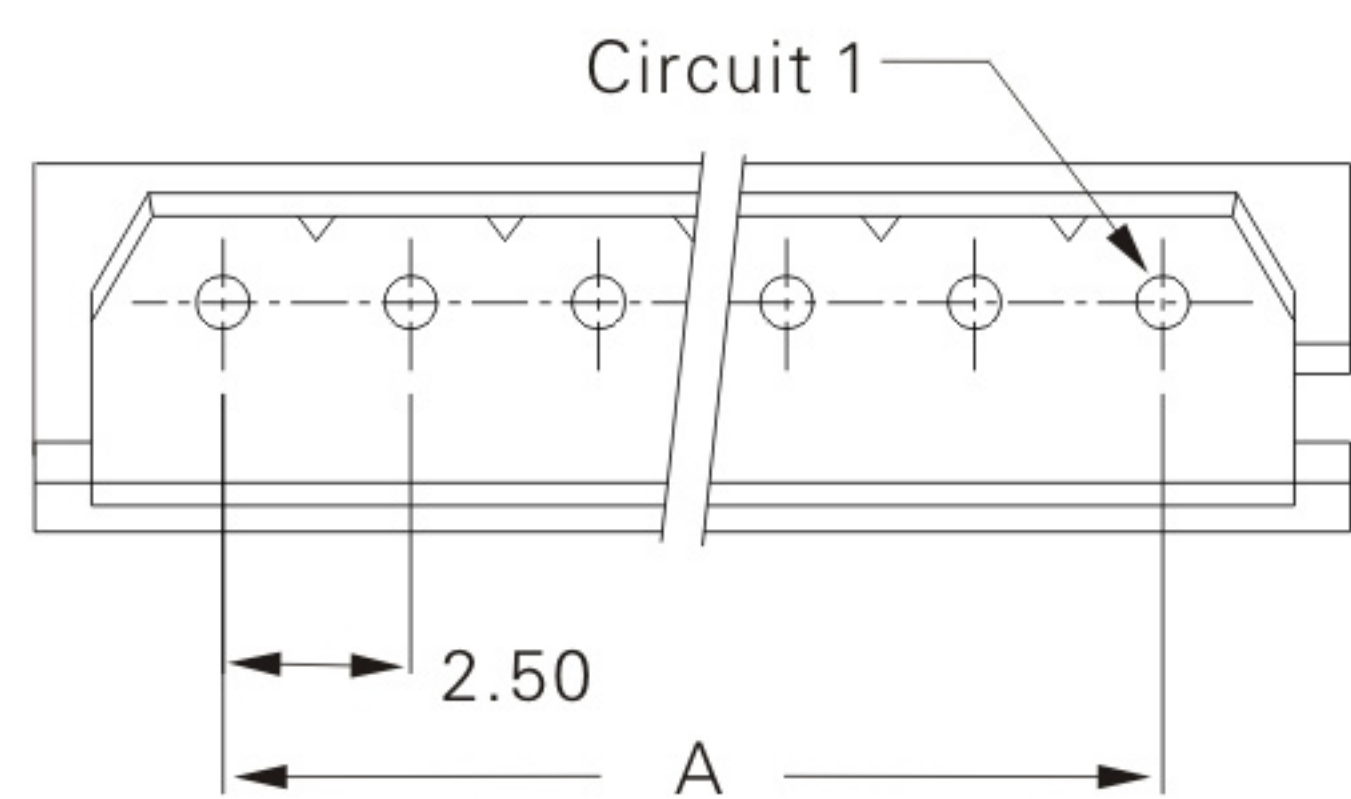
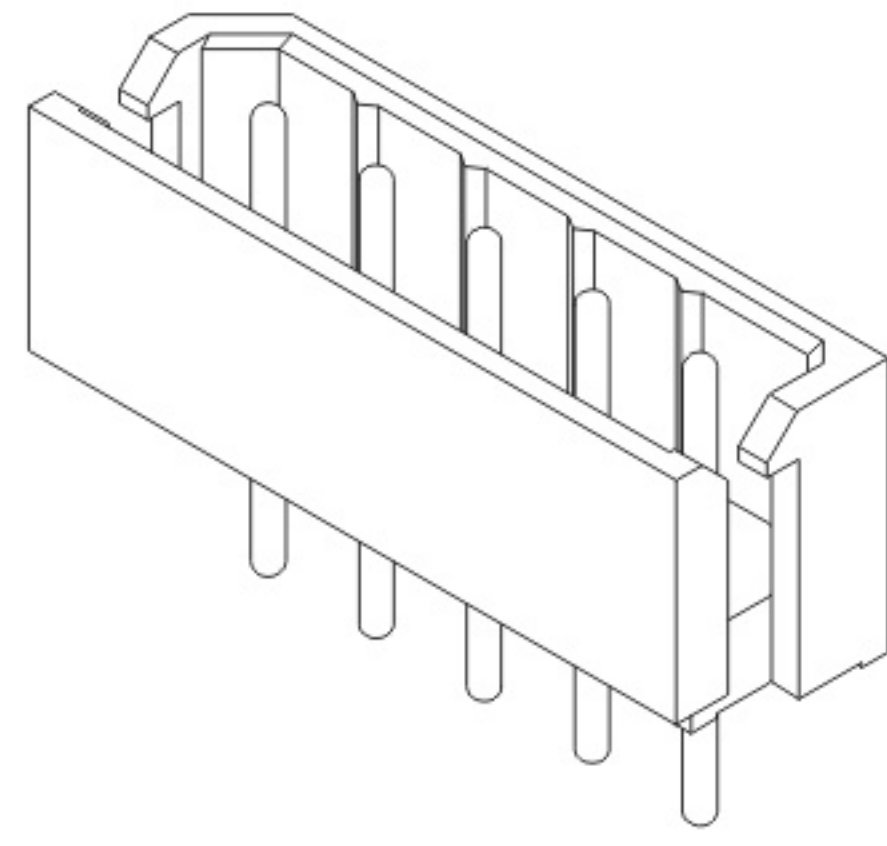
2580PS-NP (2.50mm pitch 180° wafer)

Reference Informations:

*Material:Pin:Brass/Tin-plated

Wafer:Nylon 66,UL94V-0

*Mates with 2580H series Housing



Ordering Information & Dimensions

Circuits	Part No.	DIM.(mm)	
		A	B
02	2580PS-02P	2.50	7.50
03	2580PS-03P	5.00	10.00
04	2580PS-04P	7.50	12.50
05	2580PS-05P	10.00	15.00
06	2580PS-06P	12.50	17.50
07	2580PS-07P	15.00	20.00
08	2580PS-08P	17.50	22.50
09	2580PS-09P	20.00	25.00
10	2580PS-10P	22.50	27.50
11	2580PS-11P	25.00	30.00
12	2580PS-12P	27.50	32.50
13	2580PS-13P	30.00	35.00
14	2580PS-14P	32.50	37.50
15	2580PS-15P	35.00	40.00
16	2580PS-16P	37.50	42.50
17	2580PS-17P	40.00	45.00
18	2580PS-18P	42.50	47.50
19	2580PS-19P	45.00	50.00
20	2580PS-20P	47.50	52.50

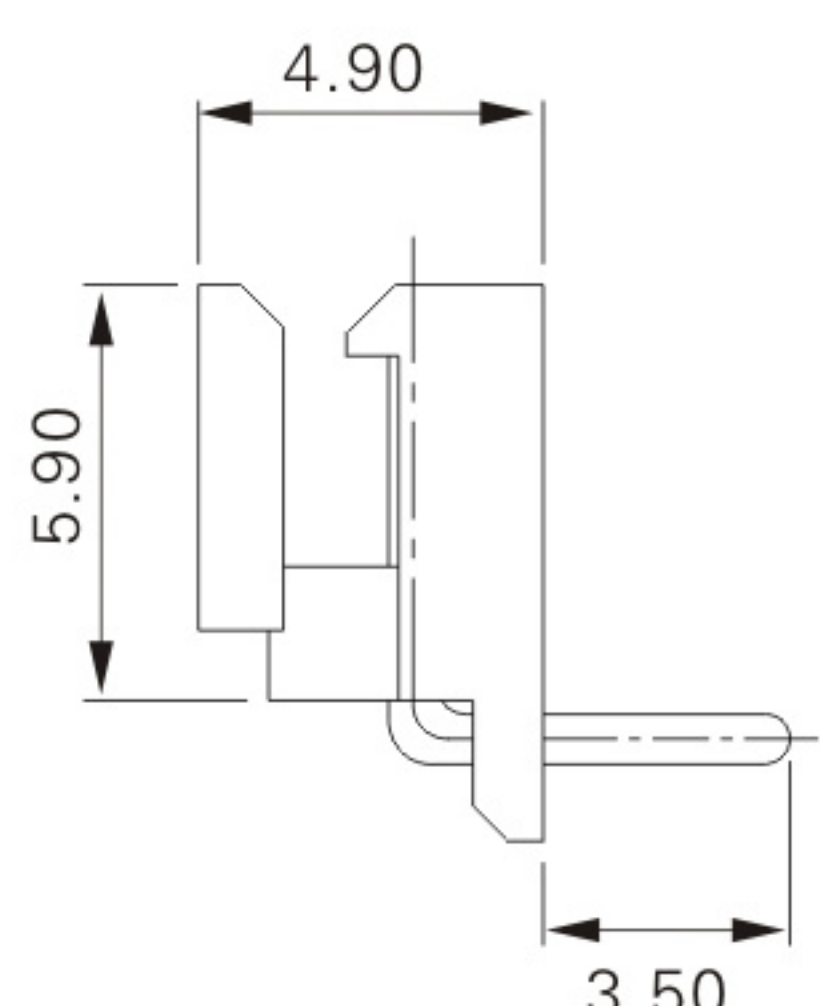
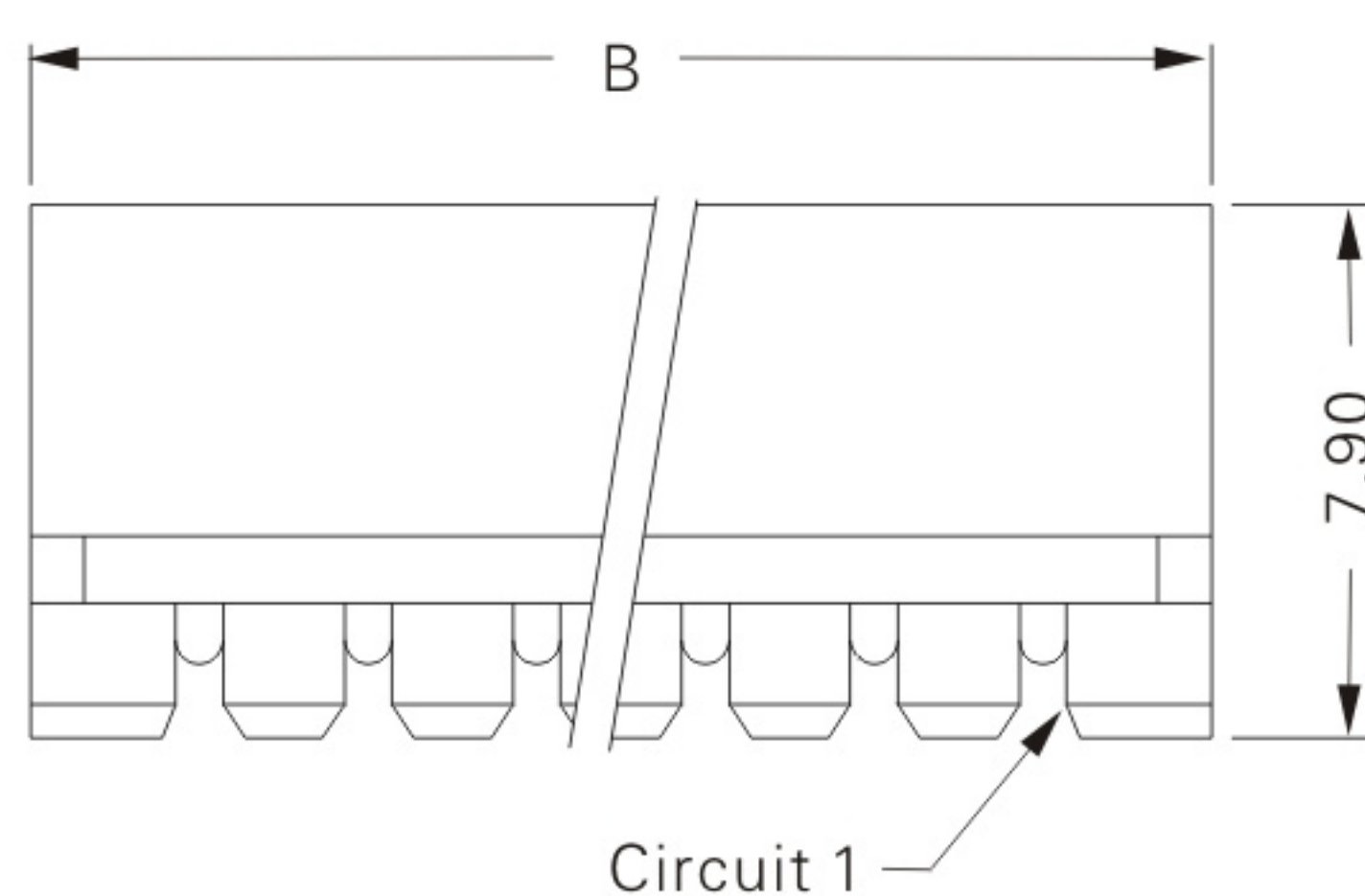
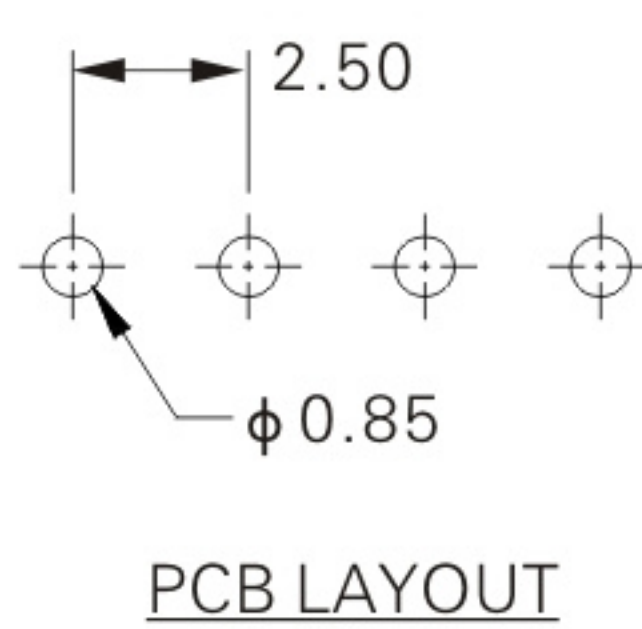
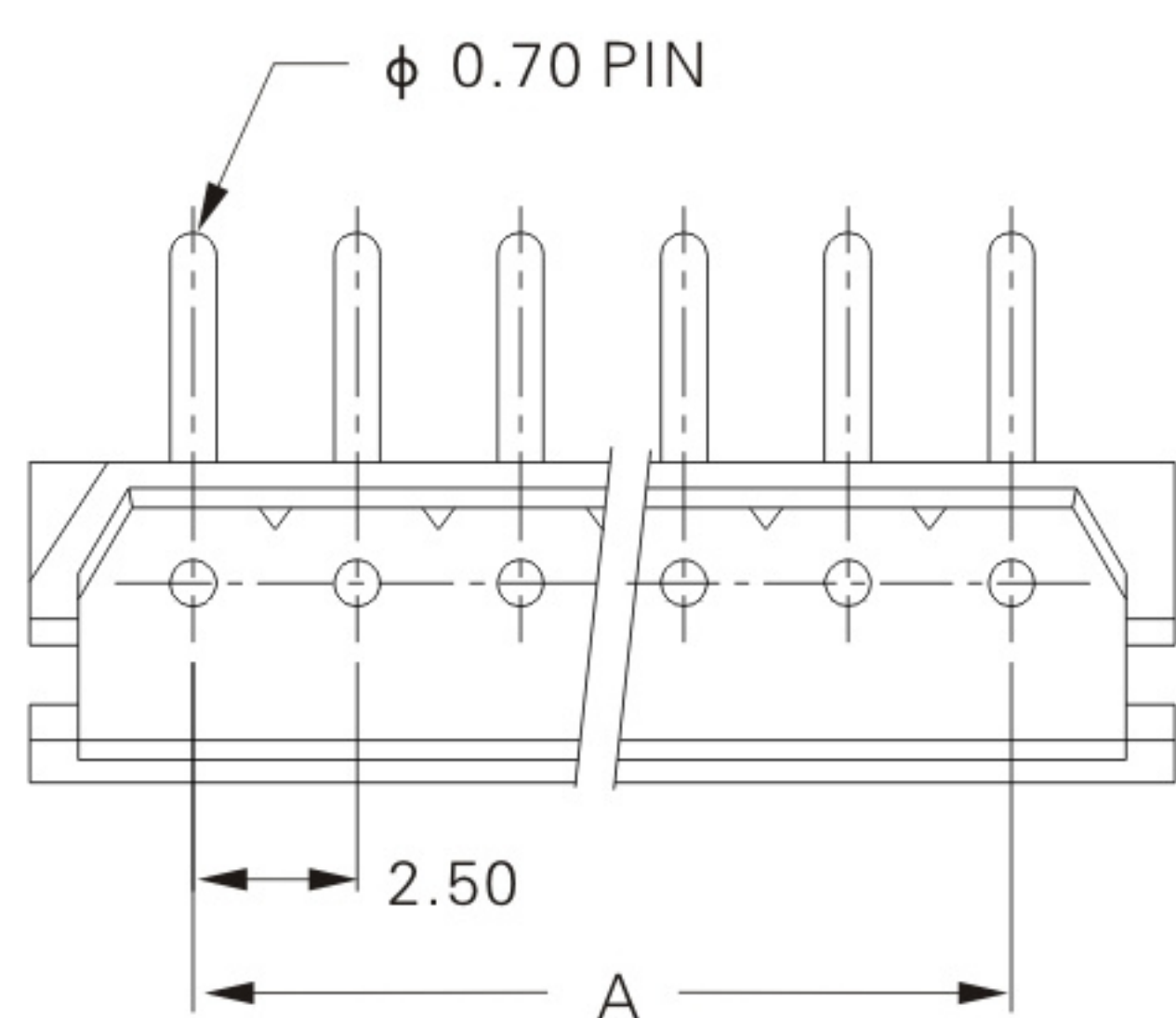
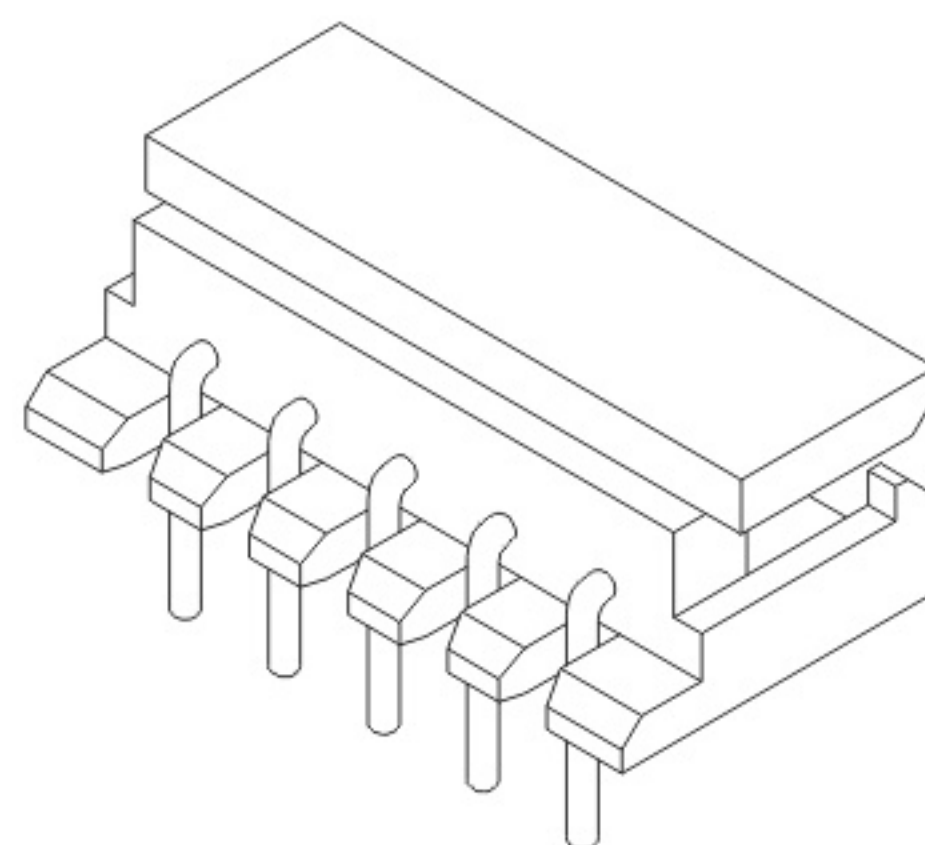
2580PR-NP (2.50mm pitch 90° wafer)

Reference Informations:

*Material:Pin:Brass/Tin-plated

Wafer:Nylon 66,UL94V-0

*Mates with 2580H series Housing



Ordering Information & Dimensions

Circuits	Part No.	DIM.(mm)	
		A	B
02	2580PR-02P	2.50	7.50
03	2580PR-03P	5.00	10.00
04	2580PR-04P	7.50	12.50
05	2580PR-05P	10.00	15.00
06	2580PR-06P	12.50	17.50
07	2580PR-07P	15.00	20.00
08	2580PR-08P	17.50	22.50
09	2580PR-09P	20.00	25.00
10	2580PR-10P	22.50	27.50
11	2580PR-11P	25.00	30.00
12	2580PR-12P	27.50	32.50
13	2580PR-13P	30.00	35.00
14	2580PR-14P	32.50	37.50
15	2580PR-15P	35.00	40.00
16	2580PR-16P	37.50	42.50
17	2580PR-17P	40.00	45.00
18	2580PR-18P	42.50	47.50
19	2580PR-19P	45.00	50.00
20	2580PR-20P	47.50	52.50