

Specifications

Current rating: 3A AC,DC

Voltage rating: 250V AC,DC

Temperature range: - 35°C to + 105°C
(including temperature rise)

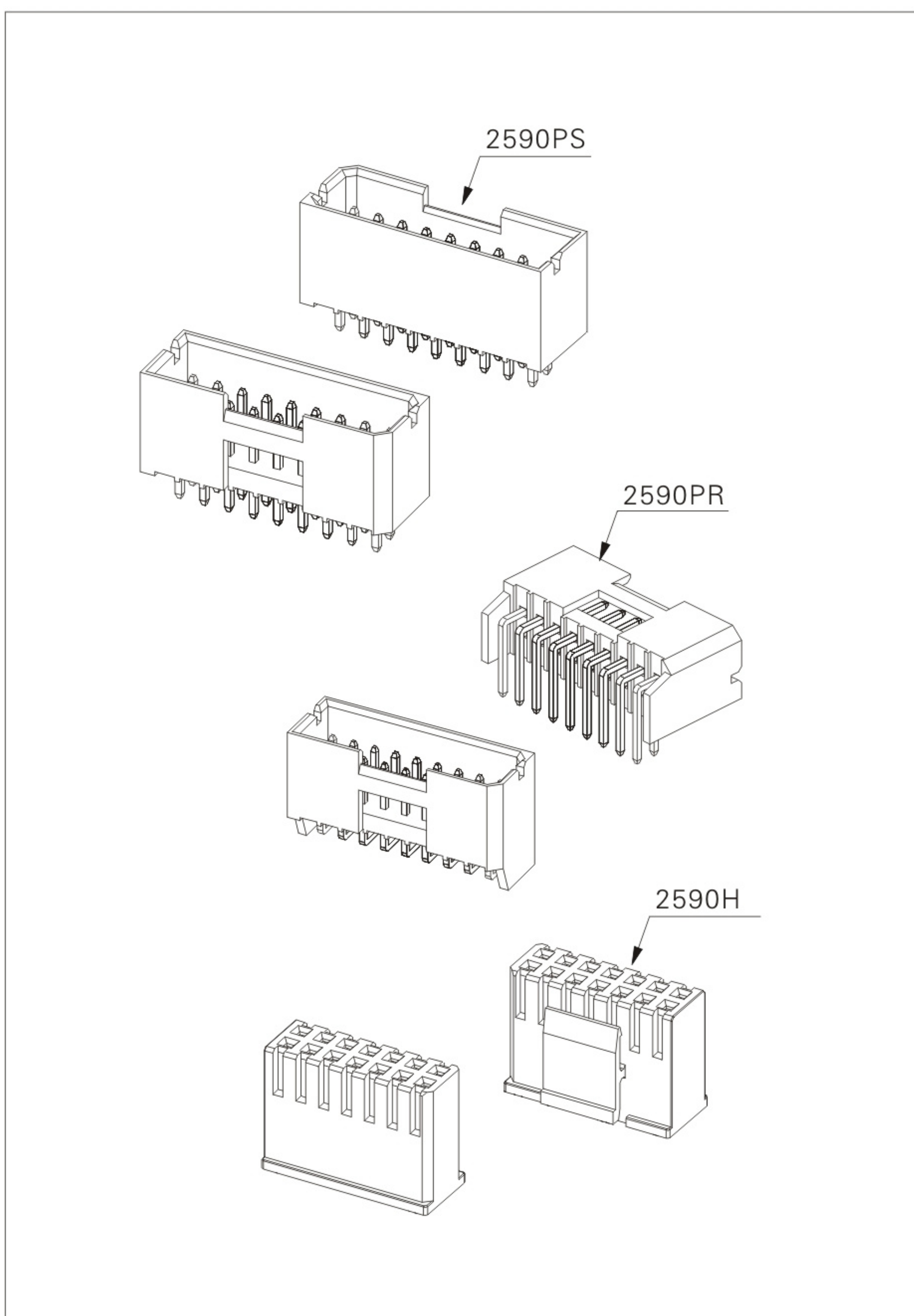
Contact resistance: Initial value/ 10m Ω Max.

After environmental testing/20m Ω Max.

Insulation resistance: 1000M Ω Min.

Withstanding voltage: 1000V AC/minute

Applicable wire: AWG#24-#28

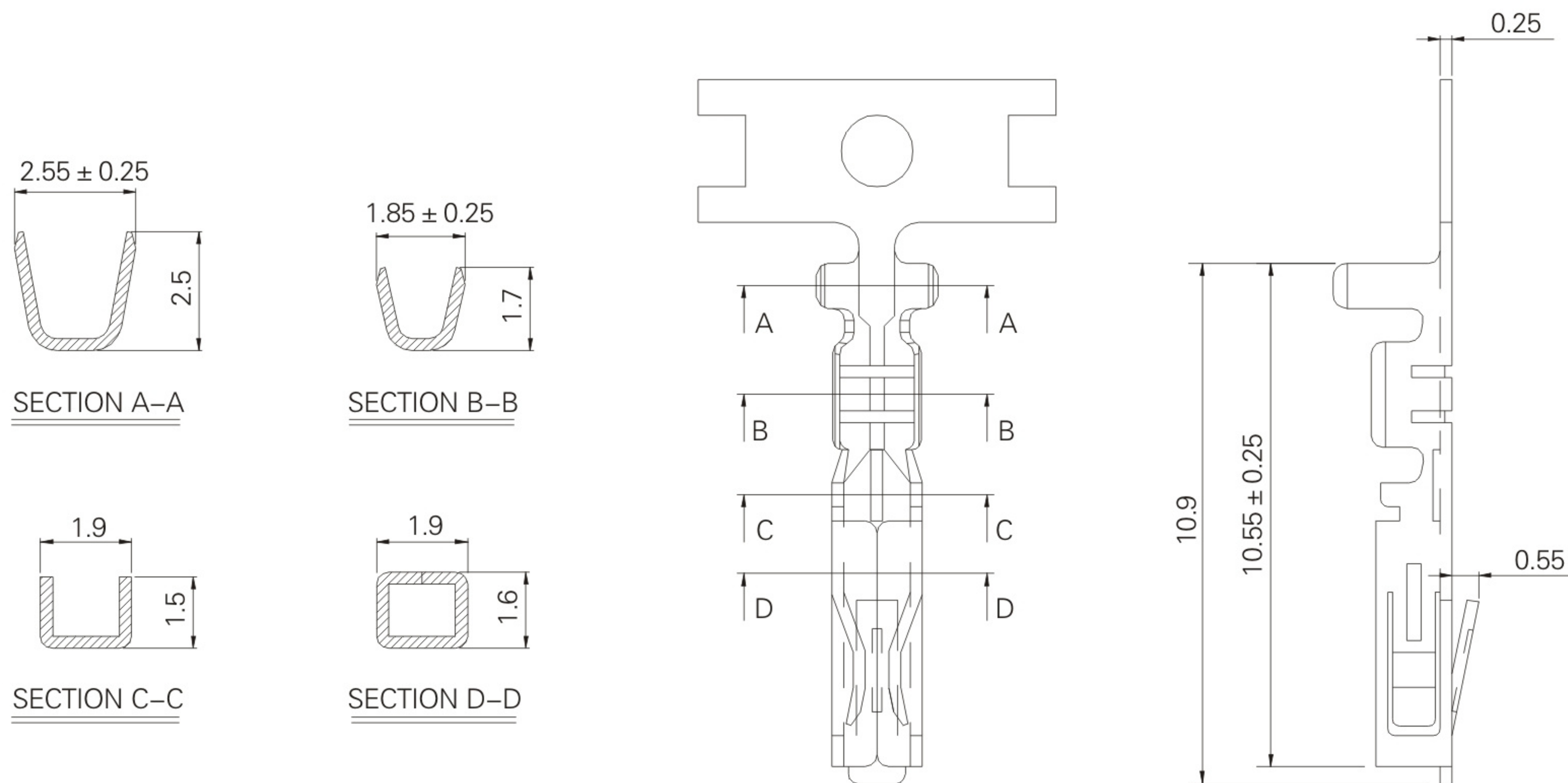


Assembly layout

2590-T (2.50mm pitch crimp terminal)

Reference Informations:

- *Thickness: 0.25mm
- *Mat'l: Phosphor Bronze Tin Plated
- *Mates With: 2590H series Housing



Ordering Information & Specifications

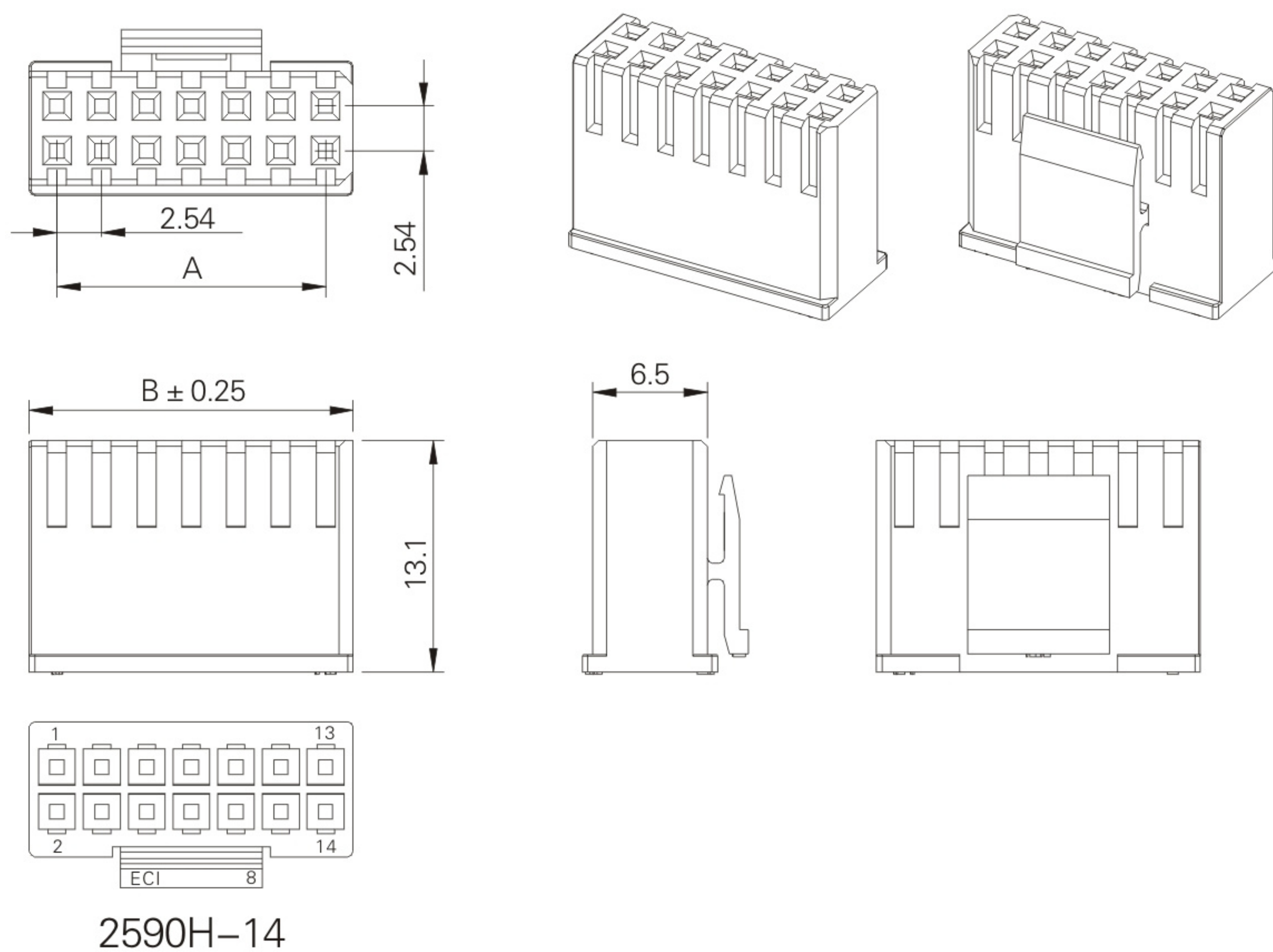
Unit: mm

Part No.	Wire Range	Insulation O.D.	Material	Finish	Qty/reel
E2090P	AWG#24-#28	1.70mm(max)	Phosphor Bronze	Tin-plated	10,000pcs

2590H-2XNP (2.50mm pitch crimp dual row housing)

Reference Informations:

- *Mat'l: Nylon 66 UL94V-0
- *Mates With: 2590-T series Terminal
- *Accepts With: 2590PS & 2590PR series Wafer



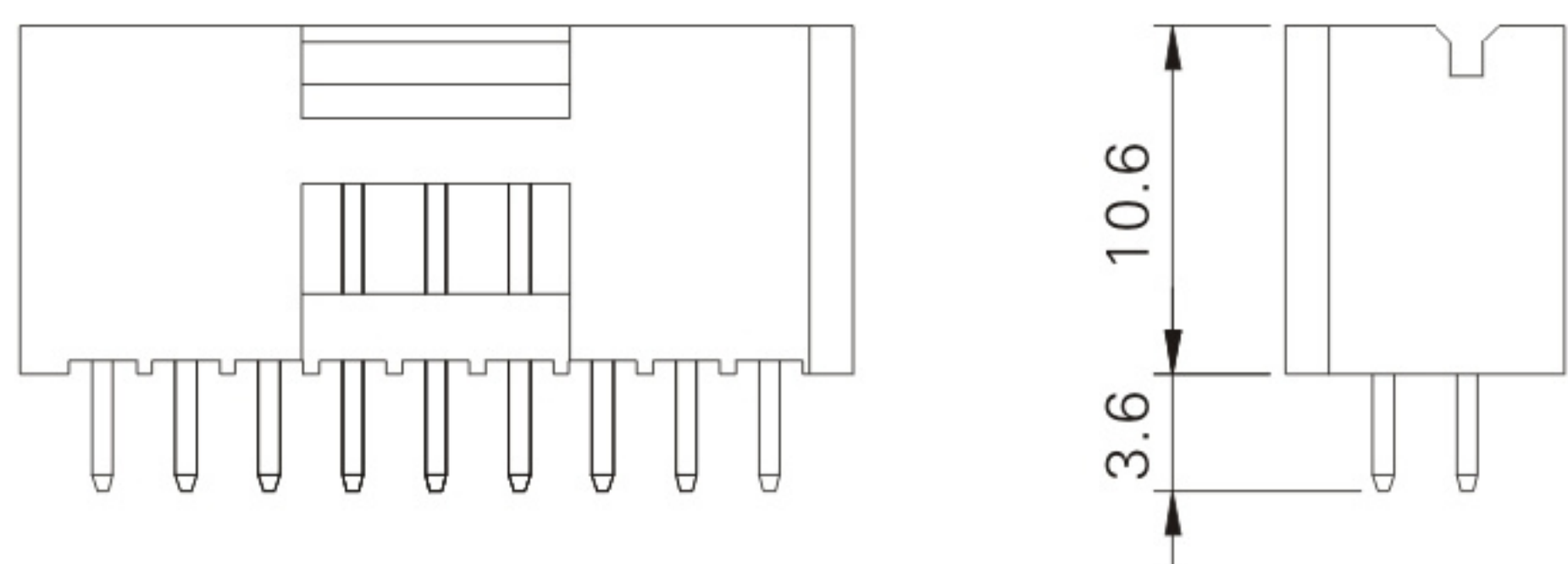
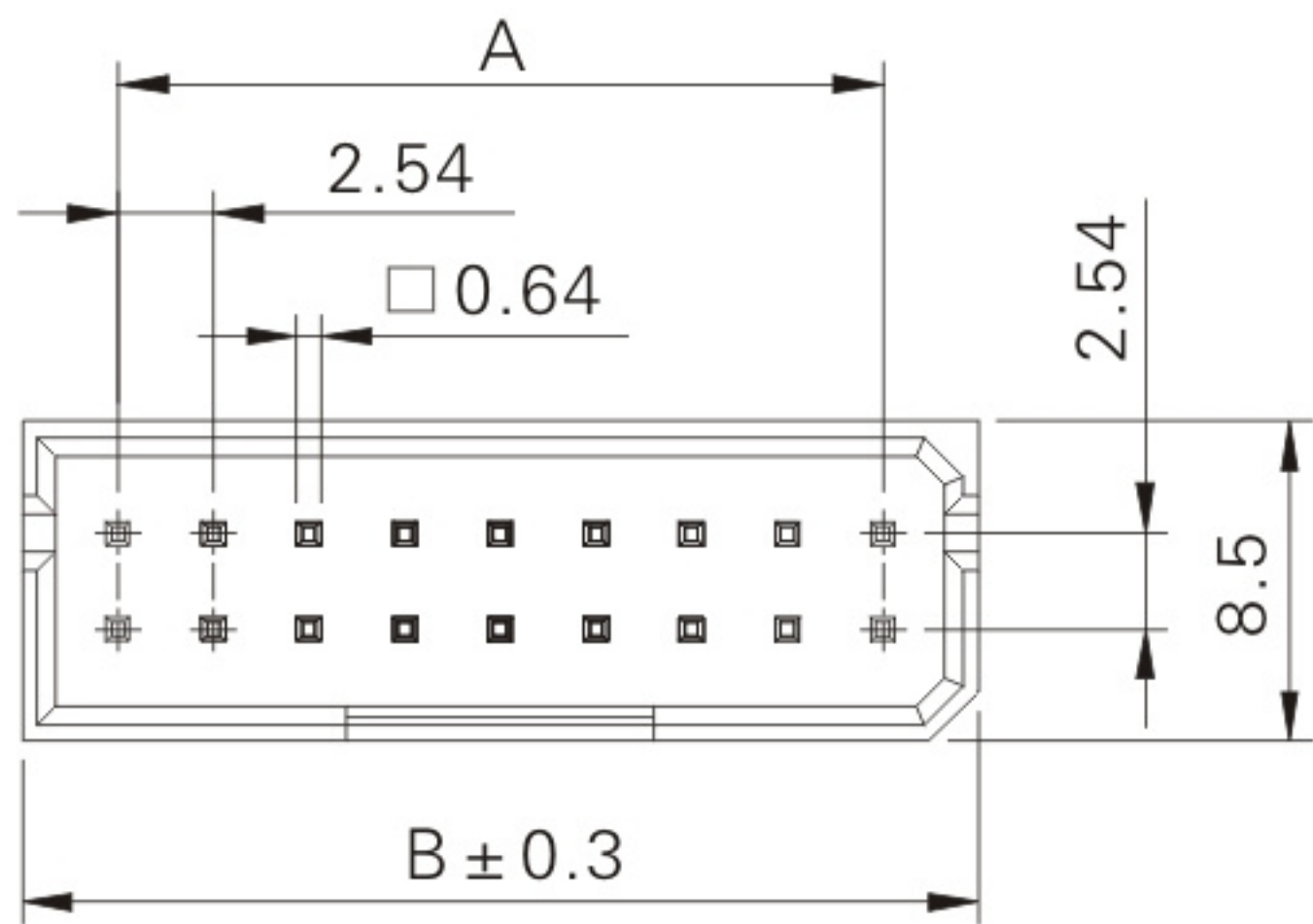
Ordering Information & Dimensions

Circuits	Part No.	DIM.(mm)	
		A	B
10	2590H-10(2X05)	10.16	13.22
12	2590H-12(2X06)	12.70	15.76
14	2590H-14(2X07)	15.24	18.30
16	2590H-16(2X08)	17.78	20.84
18	2590H-18(2X09)	20.32	23.38
20	2590H-20(2X10)	22.86	25.92
22	2590H-22(2X11)	25.40	28.46
24	2590H-24(2X12)	27.94	31.00
26	2590H-26(2X13)	30.48	33.54

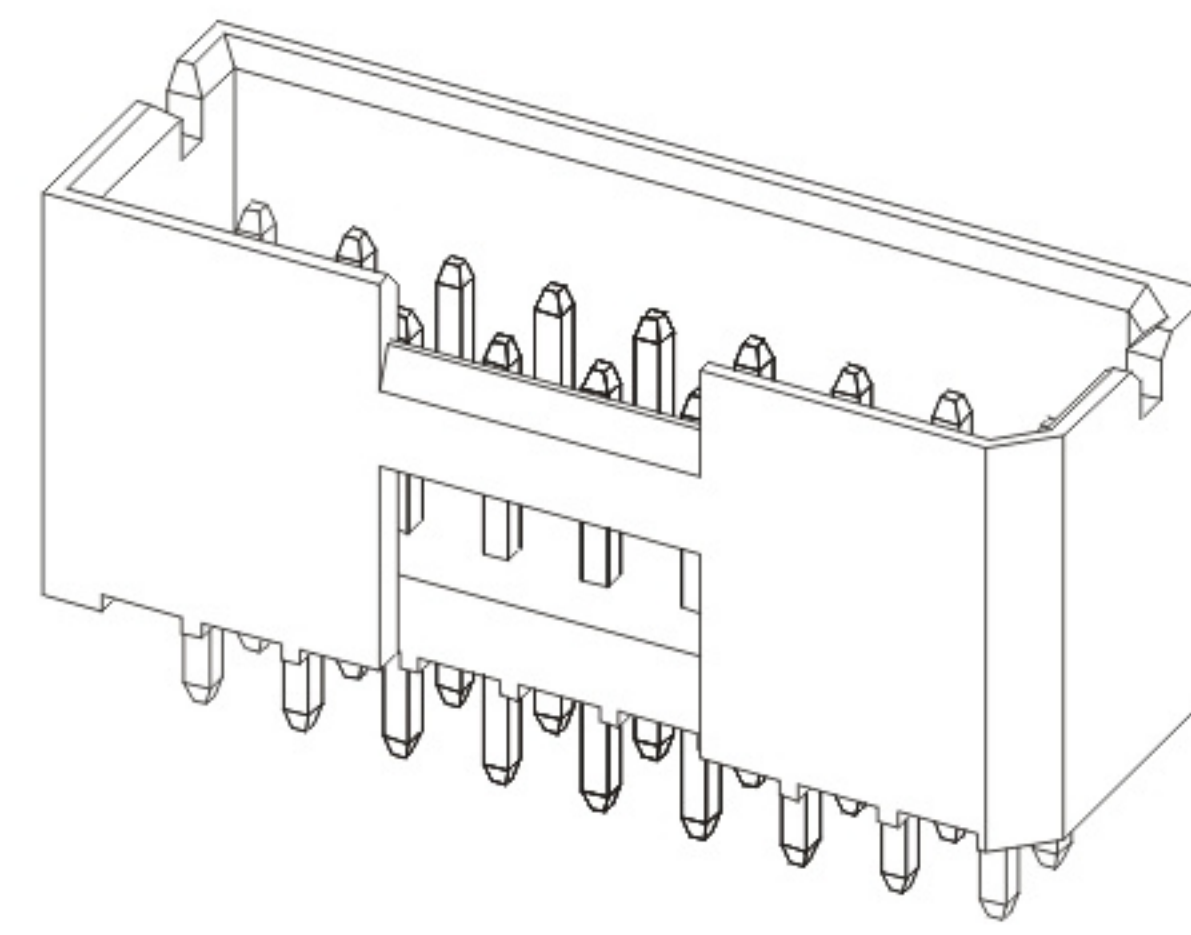
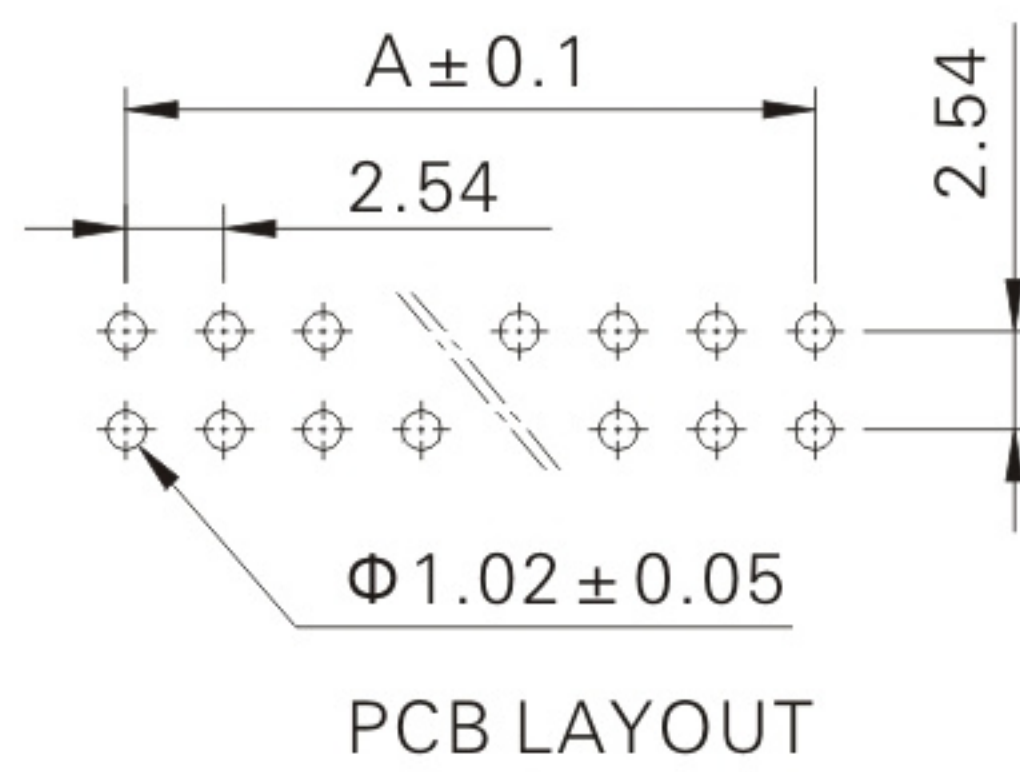
2590PS-2XNP (2.50mm pitch 180° dual row wafer)

Reference Informations:

- *Mat'l: Body: Nylon 66 UL94V-0
Pins: Brass Tin Plated
- *Mates With: 2590H series Housing
- *Accepts With: 2590-T series Terminal



2590PS-18



2590PS-18

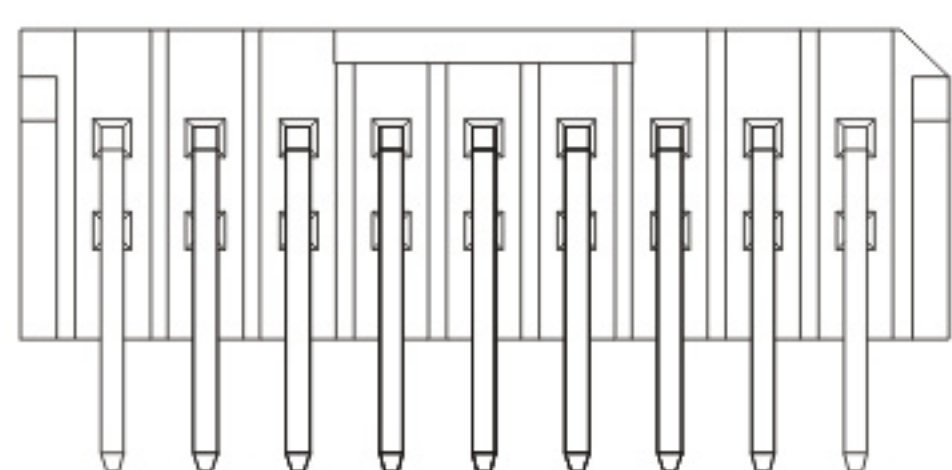
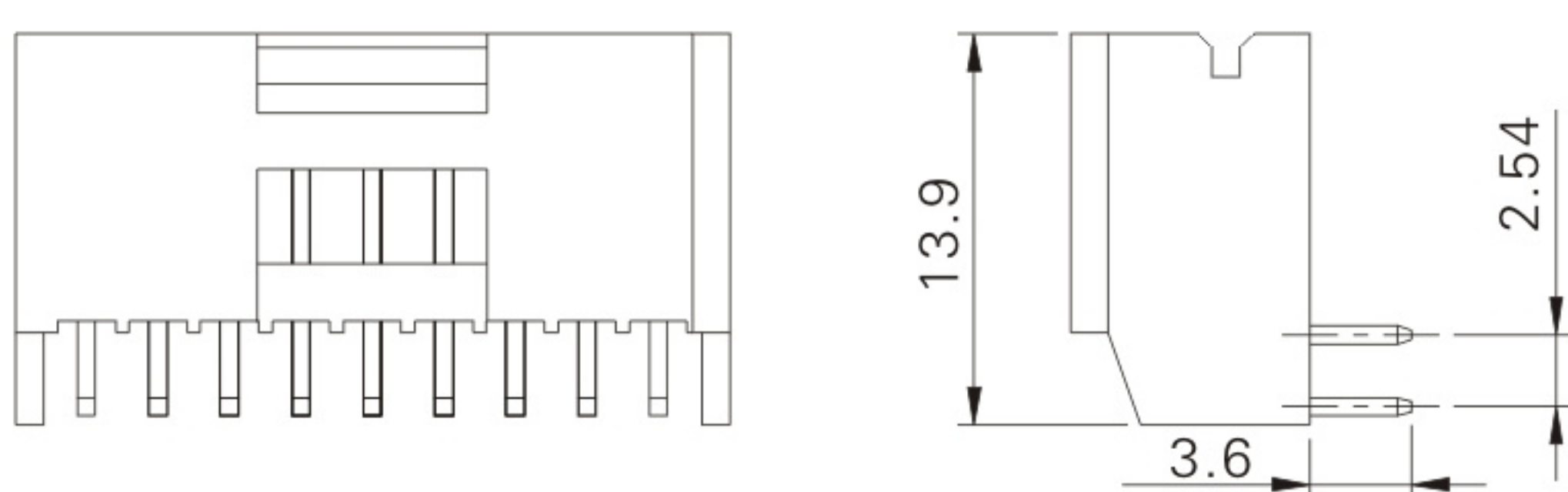
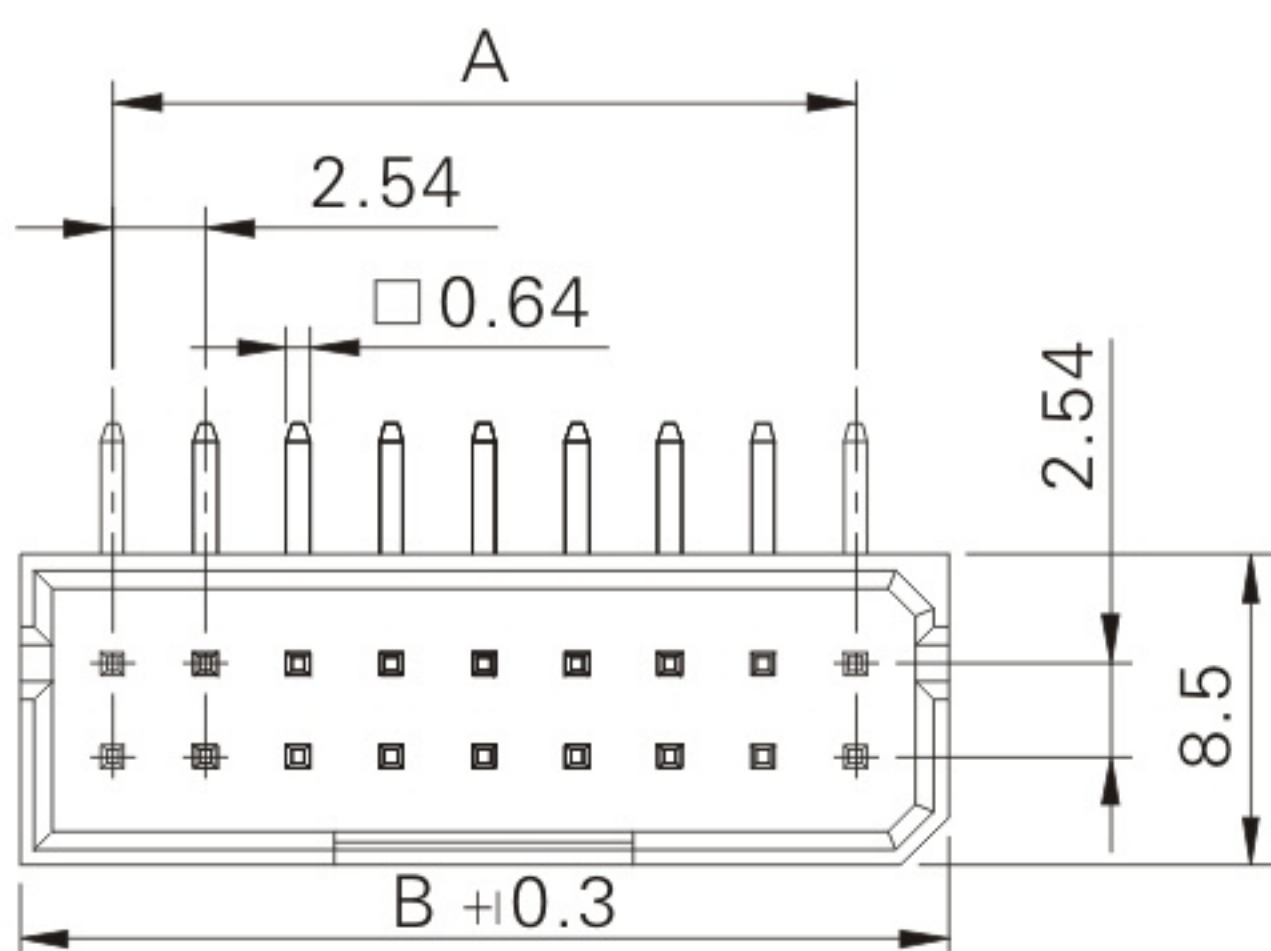
Ordering Information & Dimensions

Circuits	Part No.	DIM.(mm)	
		A	B
10	2590PS-10(2X05)	10.16	15.24
12	2590PS-12(2X06)	12.70	17.78
14	2590PS-14(2X07)	15.24	20.32
16	2590PS-16(2X08)	17.78	22.86
18	2590PS-18(2X09)	20.32	25.40
20	2590PS-20(2X10)	22.86	27.94
22	2590PS-22(2X11)	25.40	30.48
24	2590PS-24(2X12)	27.94	33.02
26	2590PS-26(2X13)	30.48	35.56

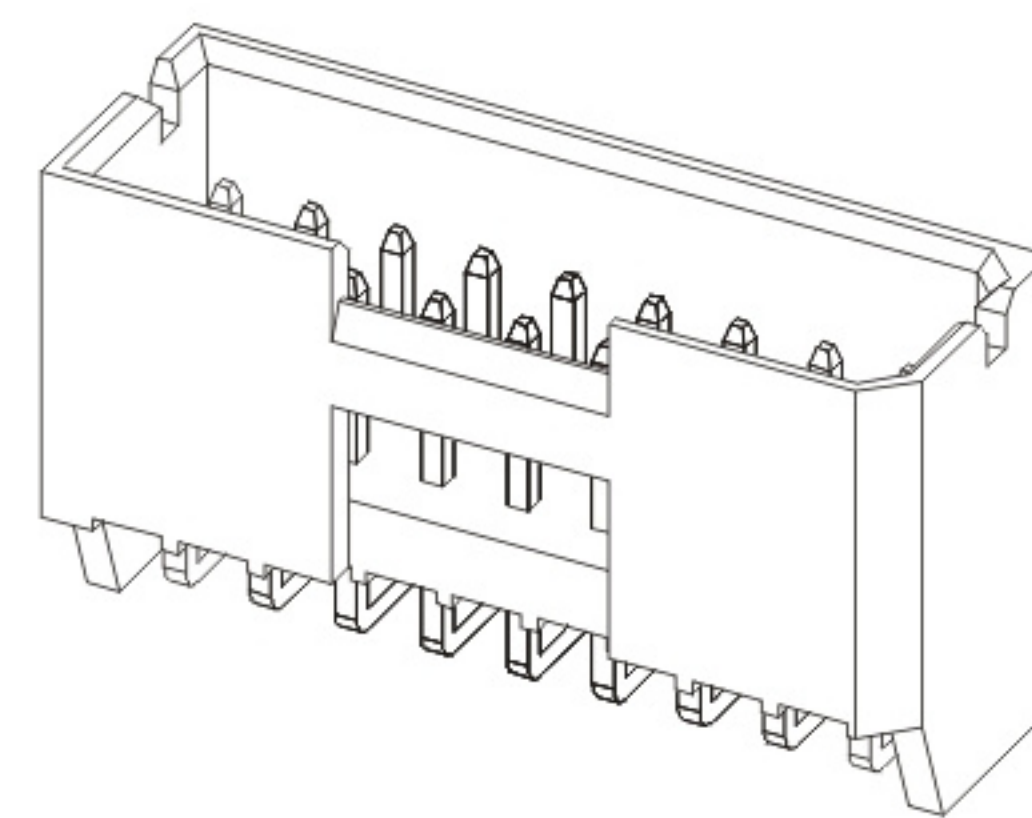
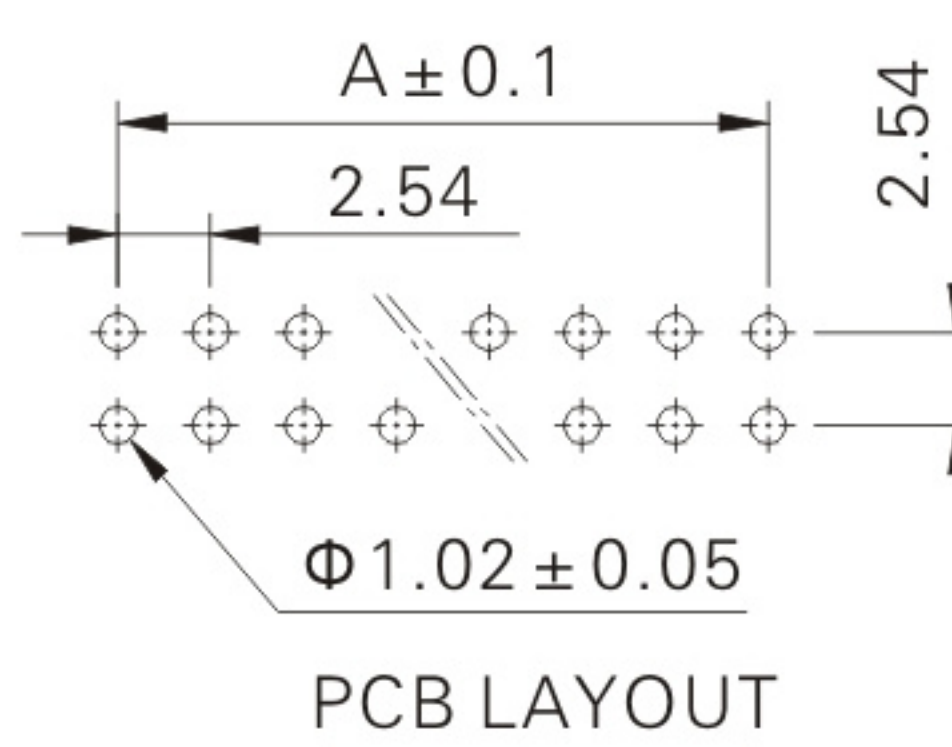
2590PR-2XNP (2.50mm pitch 90° dual row wafer)

Reference Informations:

- *Mat'l: Body: Nylon 66 UL94V-0
Pins: Brass Tin Plated
- *Mates With: 2590H series Housing
- *Accepts With: 2590P series Terminal



2590PR-18



2590PR-18

Ordering Information & Dimensions

Circuits	Part No.	DIM.(mm)	
		A	B
10	2590PR-10(2X05)	10.16	15.24
12	2590PR-12(2X06)	12.70	17.78
14	2590PR-14(2X07)	15.24	20.32
16	2590PR-16(2X08)	17.78	22.86
18	2590PR-18(2X09)	20.32	25.40
20	2590PR-20(2X10)	22.86	27.94
22	2590PR-22(2X11)	25.40	30.48
24	2590PR-24(2X12)	27.94	33.02
26	2590PR-26(2X13)	30.48	35.56