

12100H SERIES

2.00mm PITCH WIRE TO BOARD CONNECTOR



Specifications

Current rating: 2A AC,DC

Voltage rating: 250V AC,DC

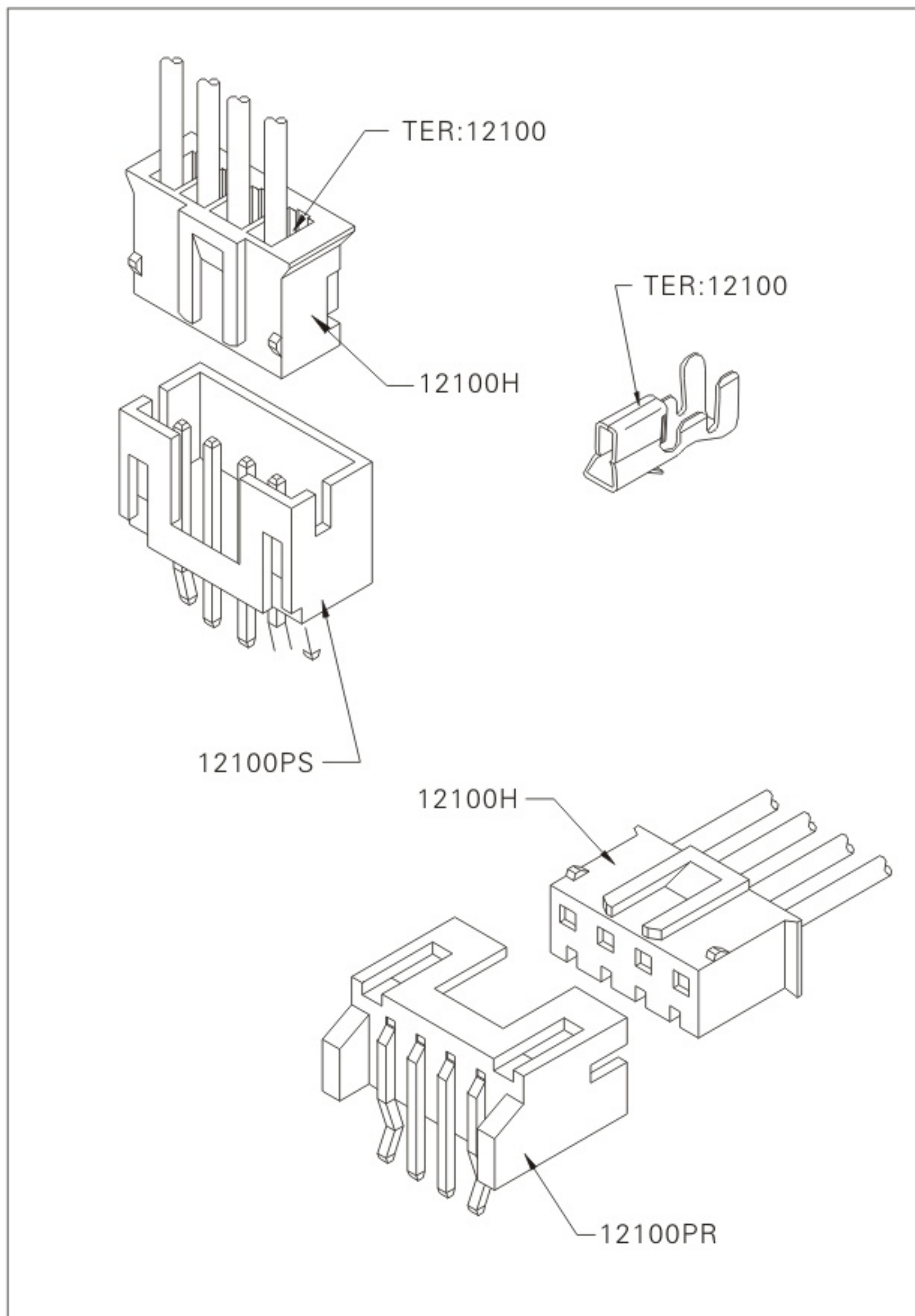
Temperature range: -25°C to + 85°C
(including temperature rise)

Contact resistance: Initial value/10m Ω Max.
After environmental testing/20m Ω Max.

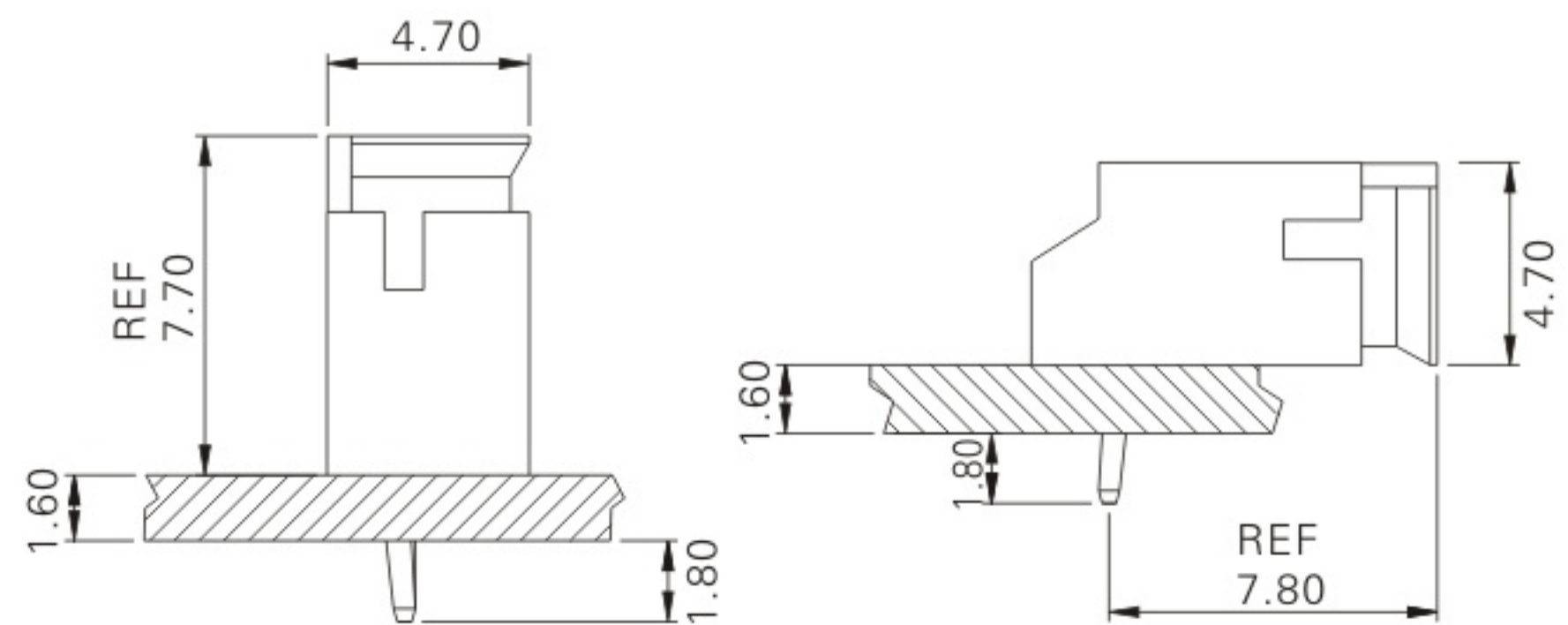
Insulation resistance: 500 M Ω Min.

Withstanding voltage: 1200V AC/minute

Applicable wire: AWG#22-#28



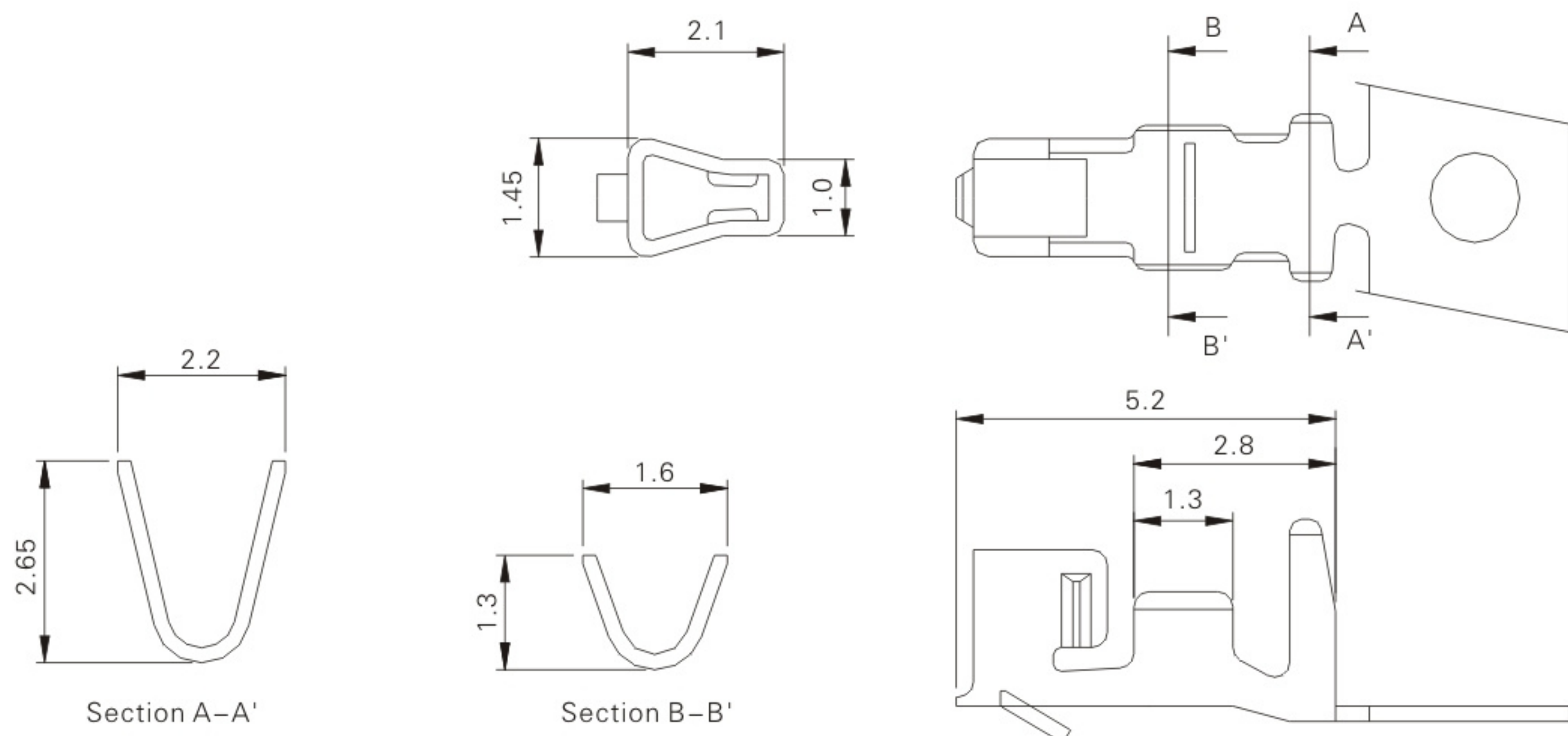
Assembly layout



12100-T (2.0mm pitch crimp terminal)

Reference Informations:

- *Thickness: 0.2 mm
- *Mat'l: Phosphor Bronze Tin Plated
- *Mates With: 12100H series Housing



Ordering Information & Specifications

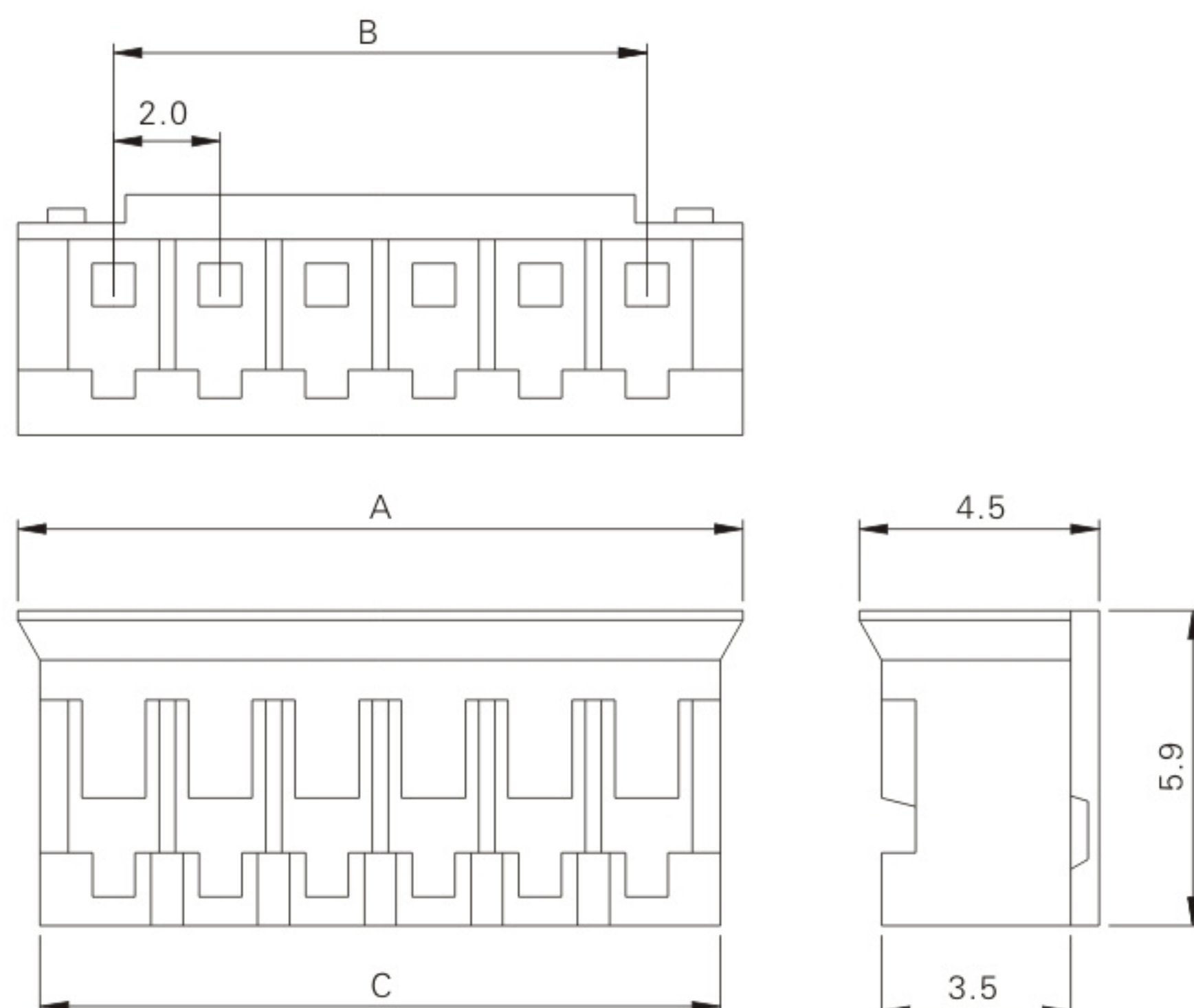
Unit: mm

Part No.	Wire Range	Material	Finish	Qty/reel
12100P	AWG#22-#28	Phosphor Bronze	Tin-plated	10,000

12100H-NP (2.0mm pitch crimp housing)

Reference Informations:

- *Mat'l: Nylon 66 UL94V-0
- *Mates With: 12100-T series Terminal
- *Accepts With: 12100PS 12100PR series Wafer



Ordering Information & Dimensions

Circuits	Part No.	DIM.(mm)		
		A	B	C
02	12100H-02	5.60	2.00	4.60
03	12100H-03	7.60	4.00	6.60
04	12100H-04	9.60	6.00	8.60
05	12100H-05	11.6	8.00	10.6
06	12100H-06	13.6	10.0	12.6
07	12100H-07	15.6	12.0	14.6
08	12100H-08	17.6	14.0	16.6
09	12100H-09	19.6	16.0	18.6
10	12100H-10	21.6	18.0	20.6
11	12100H-11	23.6	20.0	22.6
12	12100H-12	25.6	22.0	24.6
13	12100H-13	27.6	24.0	26.6
14	12100H-14	29.6	26.0	28.6
15	12100H-15	31.6	28.0	30.6

12100PS-NP (2.0mm pitch 180° wafer)

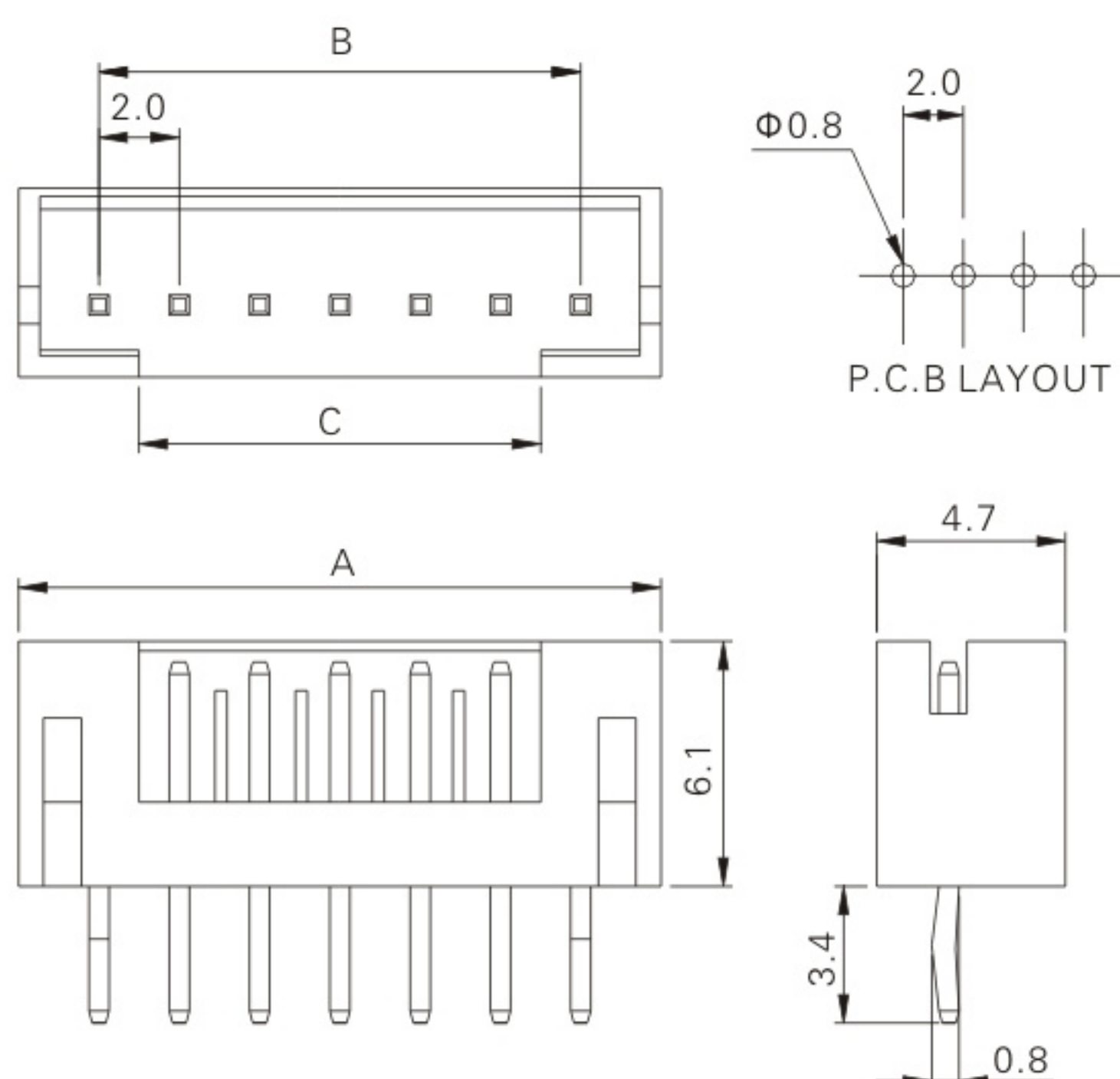
Reference Informations:

*Mat'l: Body: Nylon 66 UL94V-0

Pins: Brass Tin Plated

*Mates With: Mates With: 12100H series Housing

*Accepts With: 12100 series Terminal



Ordering Information & Dimensions

Circuits	Part No.	DIM.(mm)		
		A	B	C
02	12100PS-02P	6.00	2.00	1.00
03	12100PS-03P	8.00	4.00	2.00
04	12100PS-04P	10.0	6.00	4.00
05	12100PS-05P	12.0	8.00	6.00
06	12100PS-06P	14.0	10.0	8.00
07	12100PS-07P	16.0	12.0	10.0
08	12100PS-08P	18.0	14.0	12.0
09	12100PS-09P	20.0	16.0	14.0
10	12100PS-10P	22.0	18.0	16.0
11	12100PS-11P	24.0	20.0	18.0
12	12100PS-12P	26.0	22.0	20.0
13	12100PS-13P	28.0	24.0	22.0
14	12100PS-14P	30.0	26.0	24.0
15	12100PS-15P	32.0	28.0	26.0

12100PR-NP (2.0mm pitch 90° wafer)

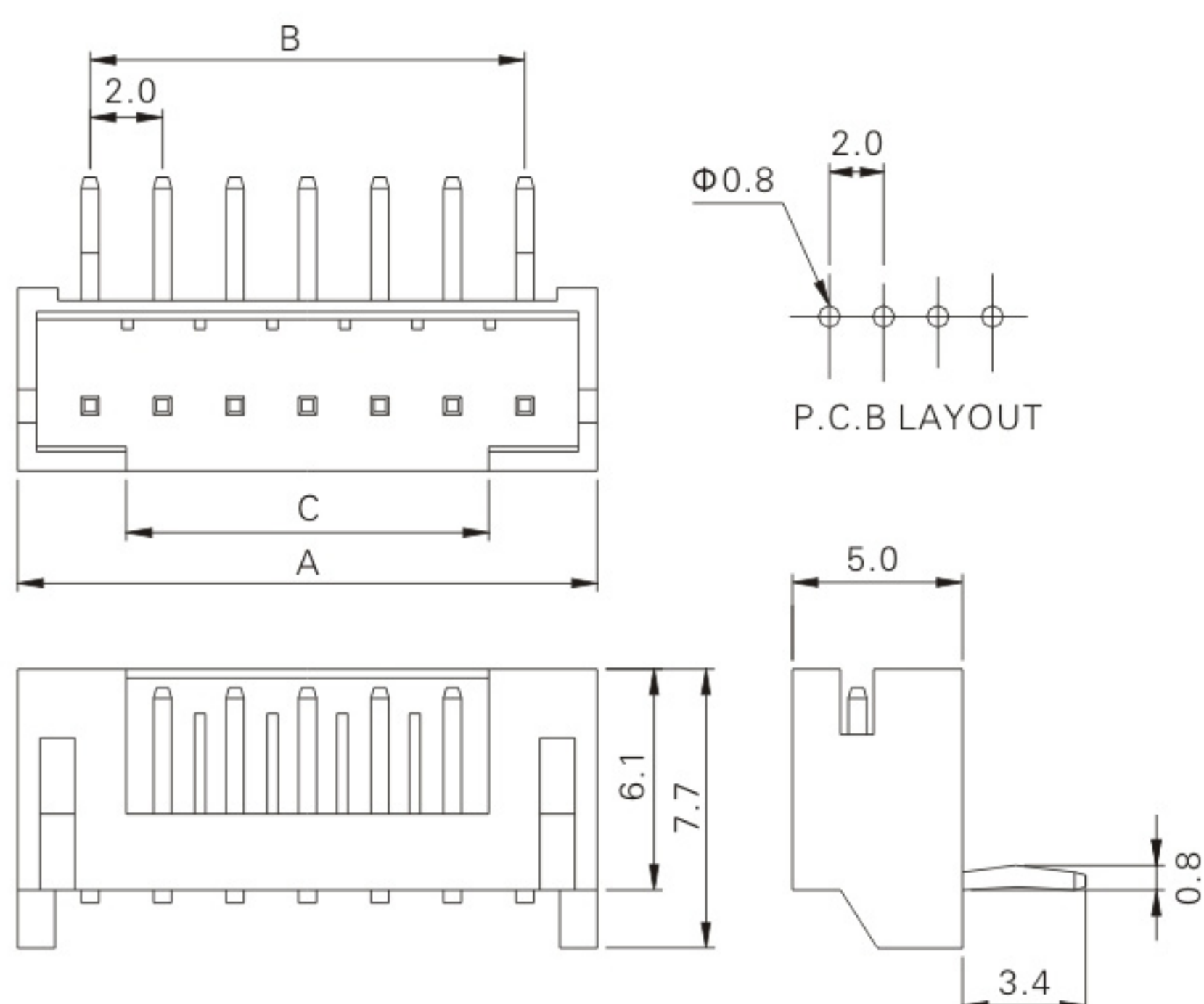
Reference Informations:

*Mat'l: Body: Nylon 66 UL94V-0

Pins: Brass Tin Plated

*Mates With: 12100H series Housing

*Accepts With: 12100 series Terminal



Ordering Information & Dimensions

Circuits	Part No.	DIM.(mm)		
		A	B	C
02	12100PR-02P	5.60	2.00	0.80
03	12100PR-03P	7.60	4.00	1.60
04	12100PR-04P	9.60	6.00	3.60
05	12100PR-05P	11.6	8.00	5.60
06	12100PR-06P	13.6	10.0	7.60
07	12100PR-07P	15.6	12.0	9.60
08	12100PR-08P	17.6	14.0	11.6
09	12100PR-09P	19.6	16.0	13.6
10	12100PR-10P	21.6	18.0	15.6
11	12100PR-11P	23.6	20.0	17.6
12	12100PR-12P	25.6	22.0	19.6
13	12100PR-13P	27.6	24.0	21.6
14	12100PR-14P	29.6	26.0	23.6
15	12100PR-15P	31.6	28.0	25.6