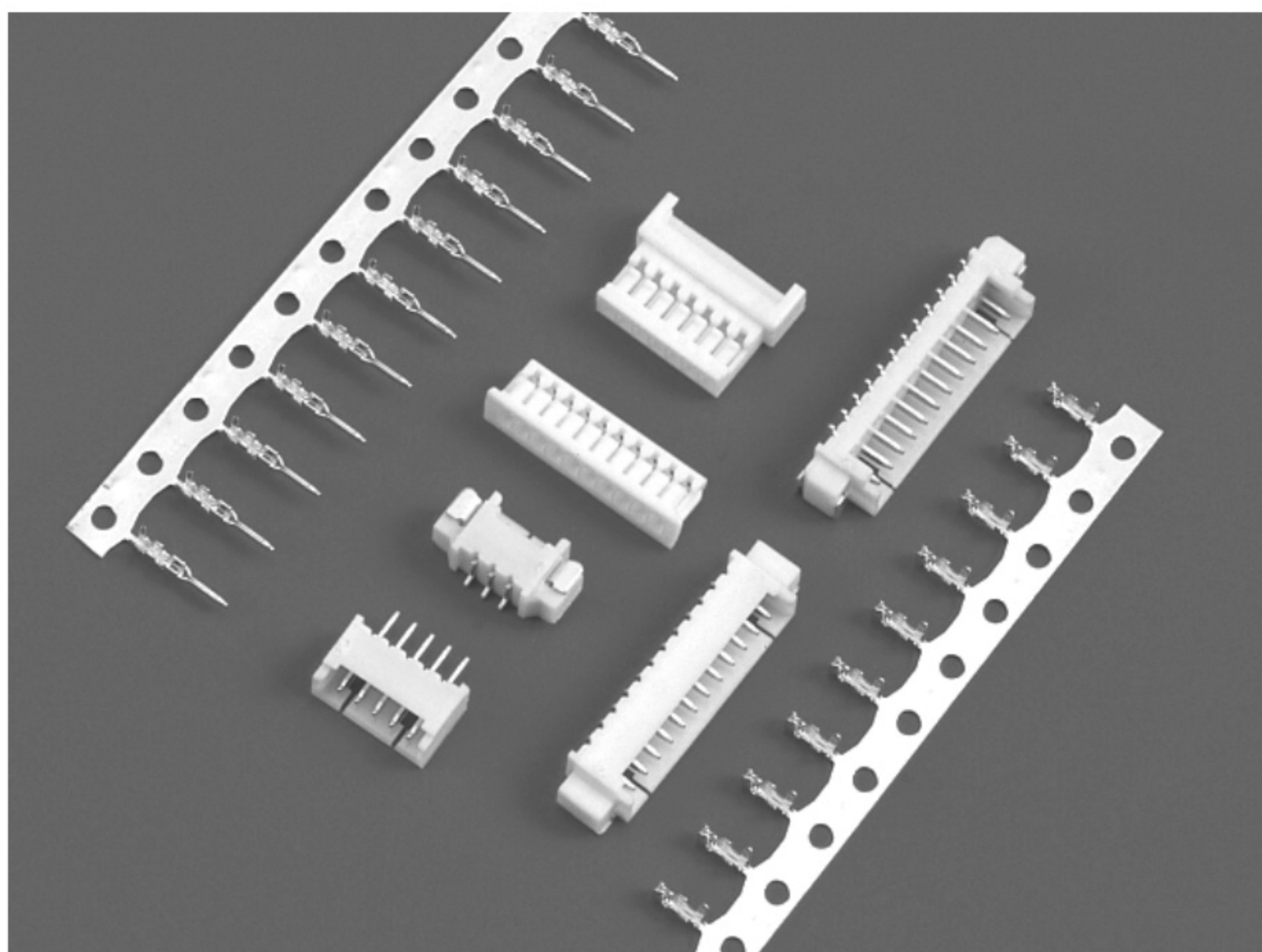


# M125H SERIES

1.25mm PITCH WIRE TO BOARD CONNECTOR



## Specifications

Current Rating: 1A AC,DC

Voltage Rating: 30V AC,DC

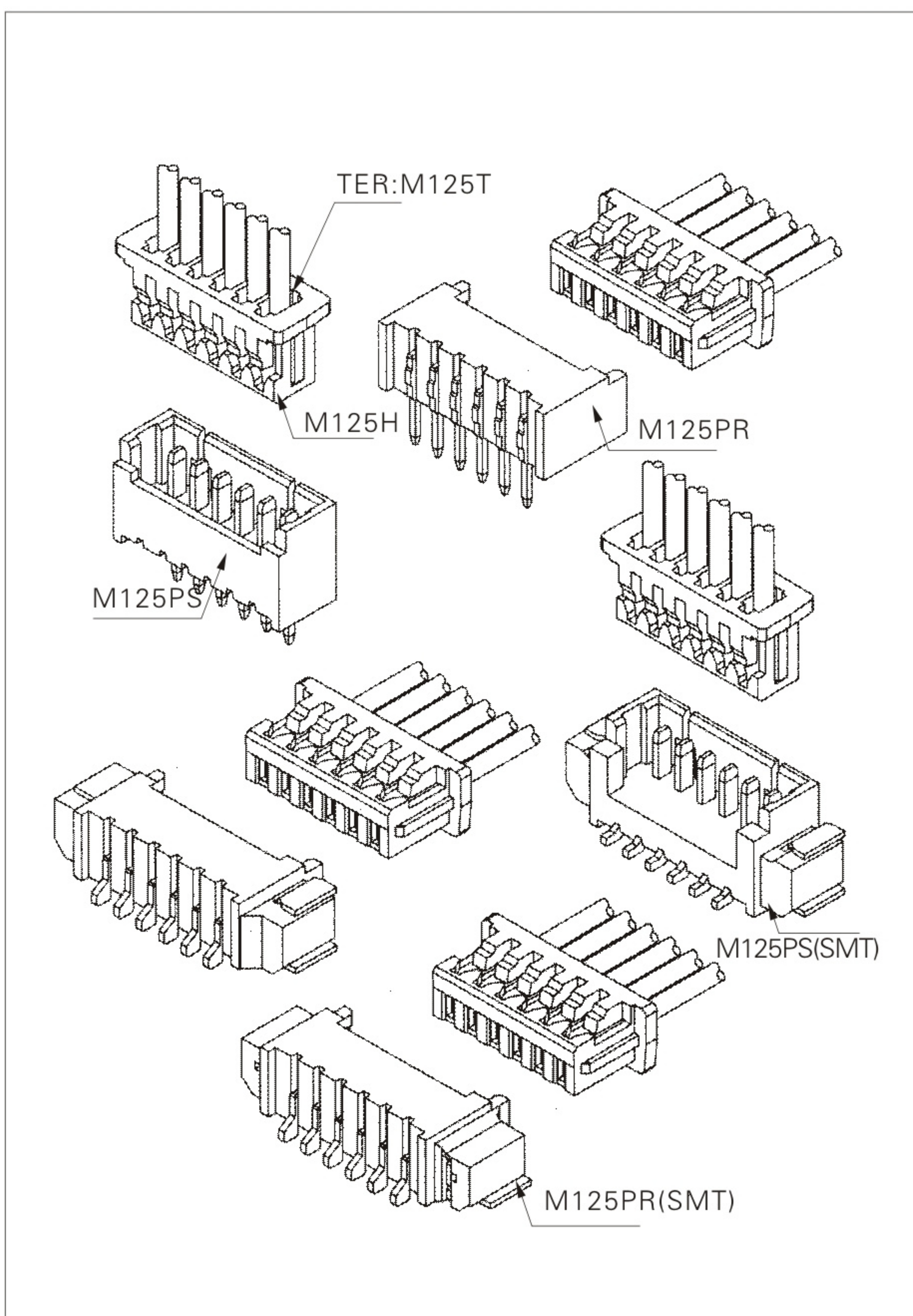
Temperature Range: -25°C~+85°C

Contact Resistance: 20mΩ Max.

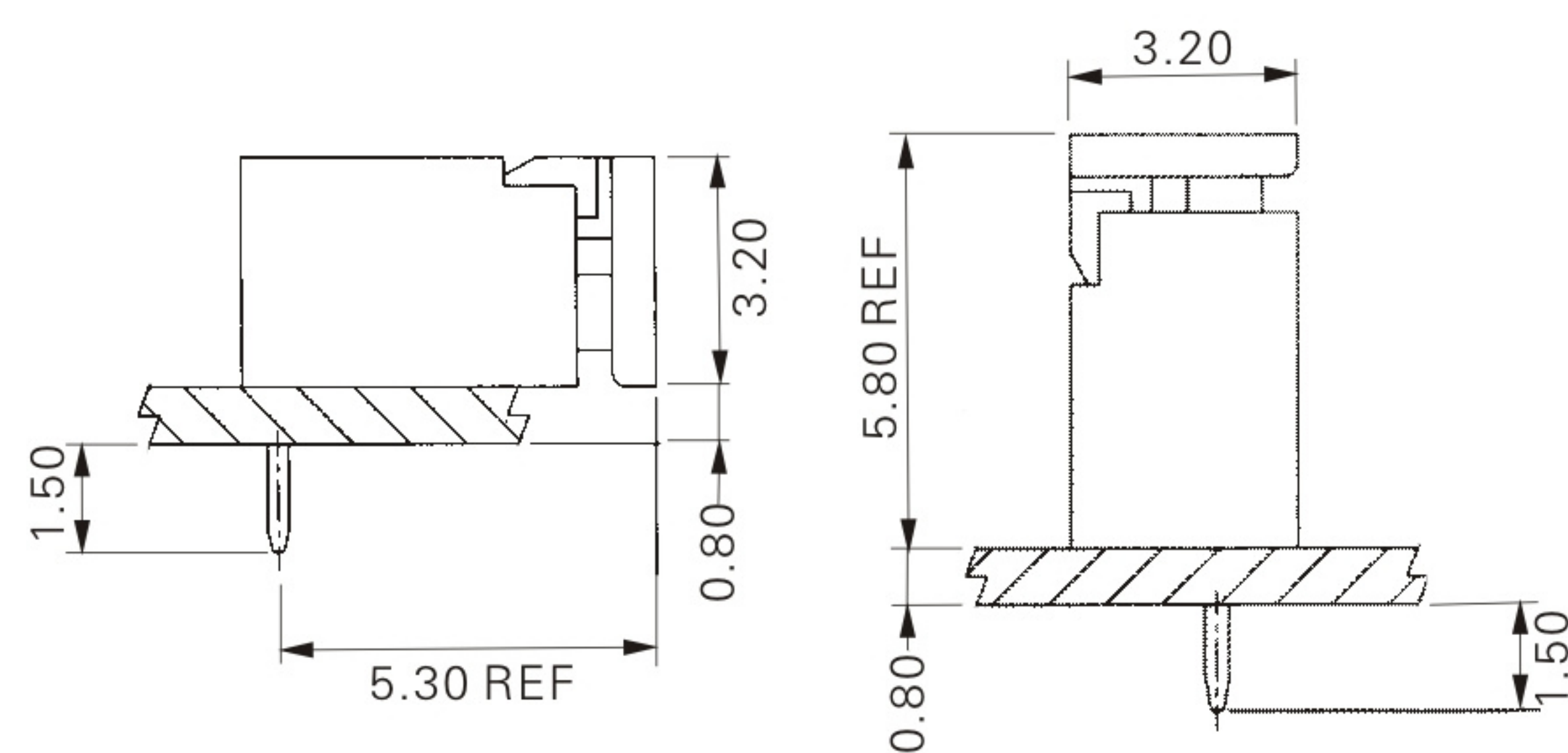
Insulation Resistance: 500MΩ Min.

Withstanding Voltage: 500V AC/minute

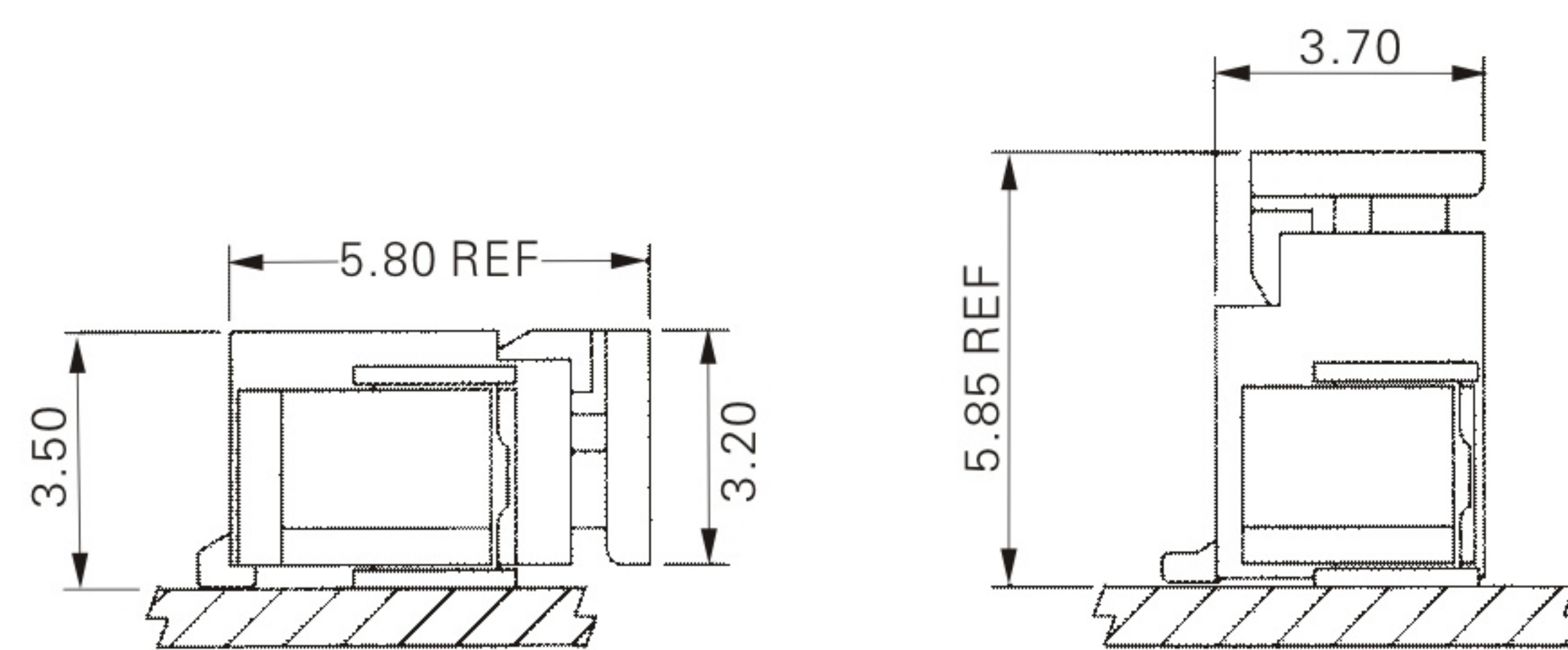
Applicable wire: AWG#28-#32



## Assembly layout



DIP TYPE



SMT TYPE



# M125-T (1.25mm pitch crimp terminal)

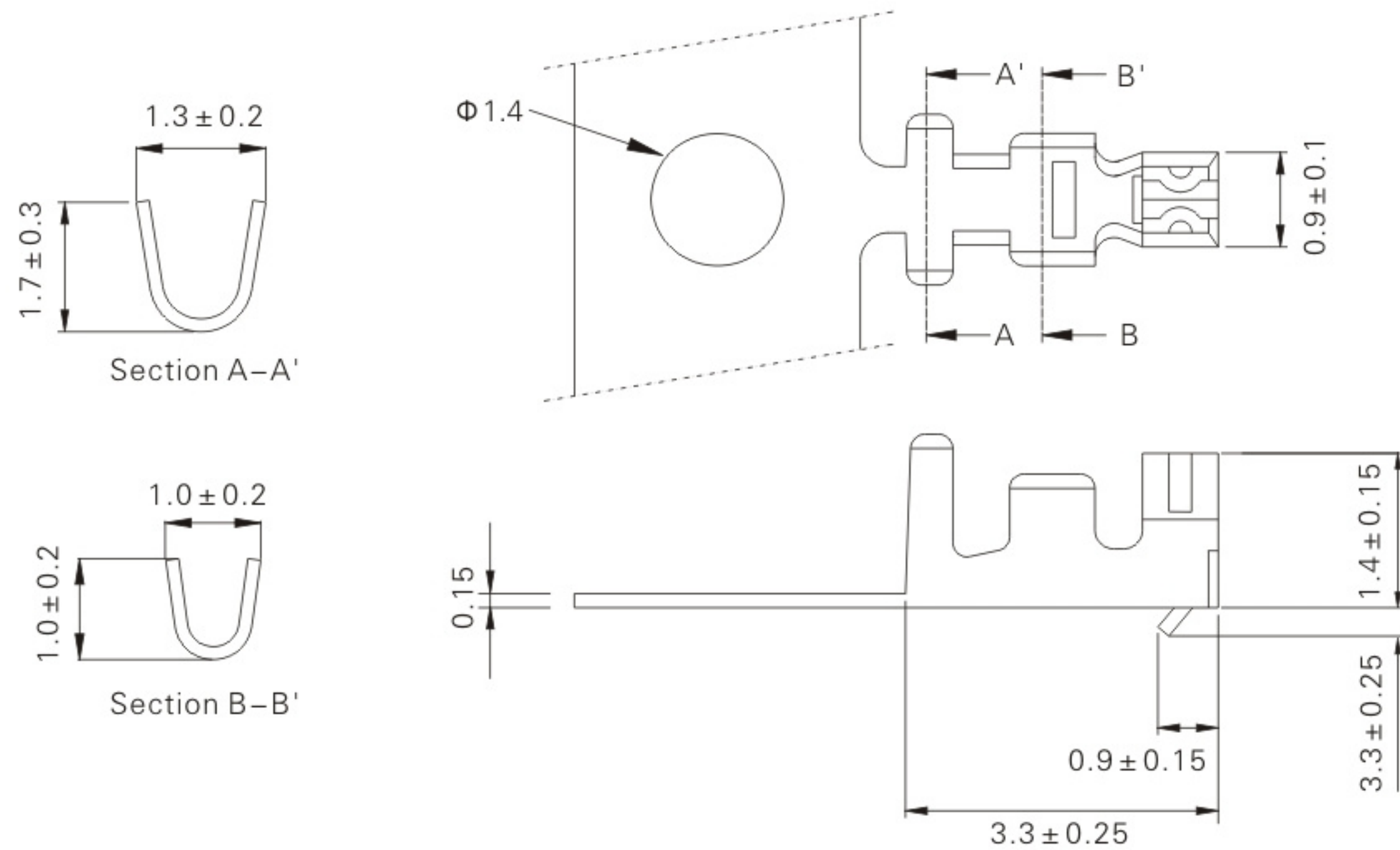
## Reference Informations:

\*Thickness: 0.15mm

\*Mat'l: Phosphor Bronze/Tin-Plated

\*Mates with: M125H series Housing

Accepts with: M125PS M125PR series Wafer



## Ordering Information & Specifications

Unit: mm

Part No.	Wire Range	Insulation O.D.	Material	Finish	Qty/reel
M125P	AWG#28-#32	1.3mm(max)	Phosphor Bronze	Tin-plated	15,000pcs

# M125H-NP (1.25mm pitch crimp housing)

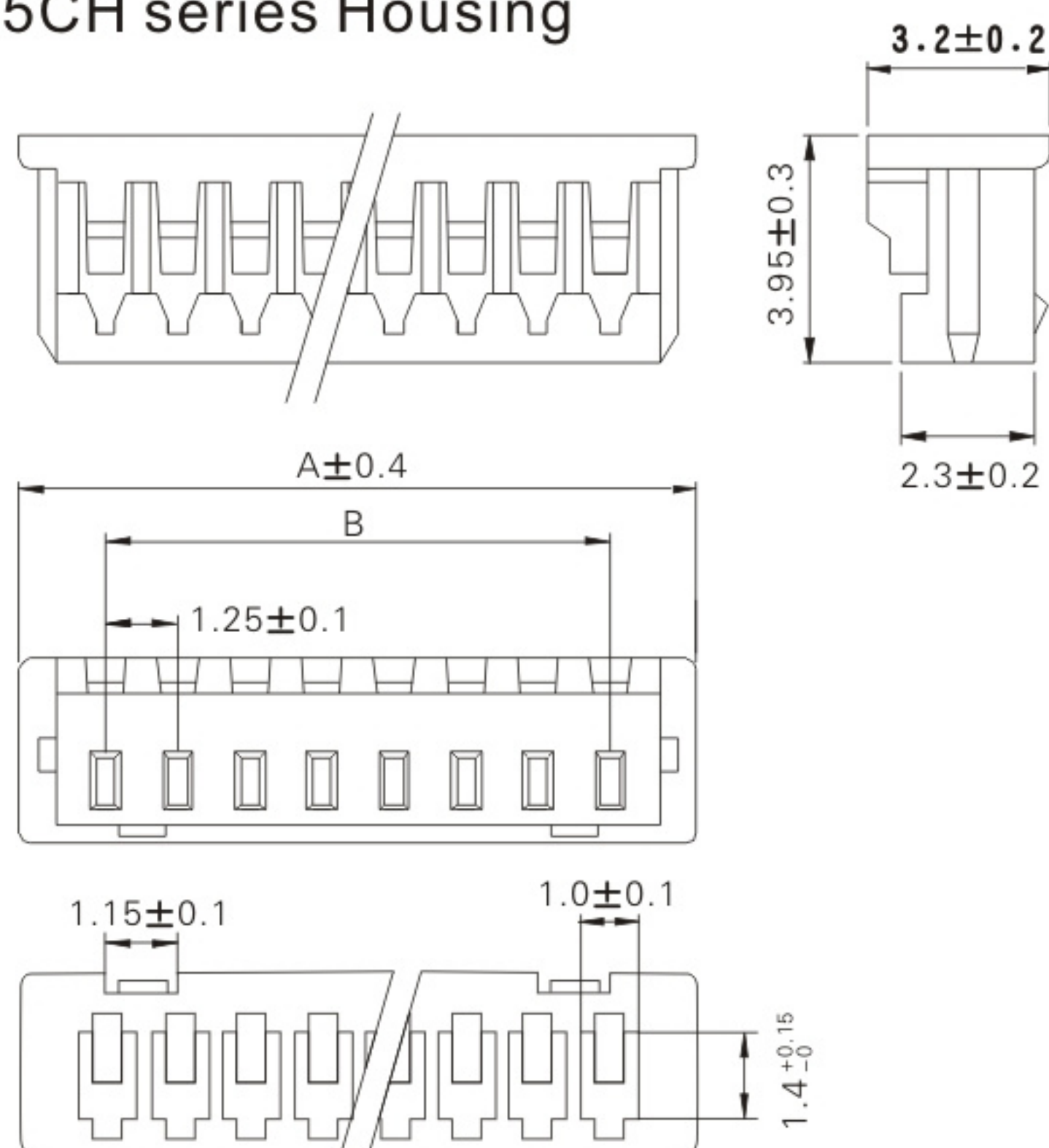
## Reference Informations:

\*Material: Nylon66, UL94V-0

\*Suitable M125-T series Terminal

\*Mates with M125PS & PR series Wafer

or M125CH series Housing



## Ordering Information & Dimensions

Circuits	Part No.	DIM.(mm)	
		A	B
02	M125H-02P	1.25	2.95
03	M125H-03P	2.50	4.20
04	M125H-04P	3.75	5.45
05	M125H-05P	5.00	6.70
06	M125H-06P	6.25	7.95
07	M125H-07P	7.50	9.20
08	M125H-08P	8.75	10.45
09	M125H-09P	10.00	11.70
10	M125H-10P	11.25	12.95
11	M125H-11P	12.50	14.20
12	M125H-12P	13.75	15.45
13	M125H-13P	15.00	16.70
14	M125H-14P	16.25	17.95
15	M125H-15P	17.50	19.20
16	M125H-16P	18.75	20.45



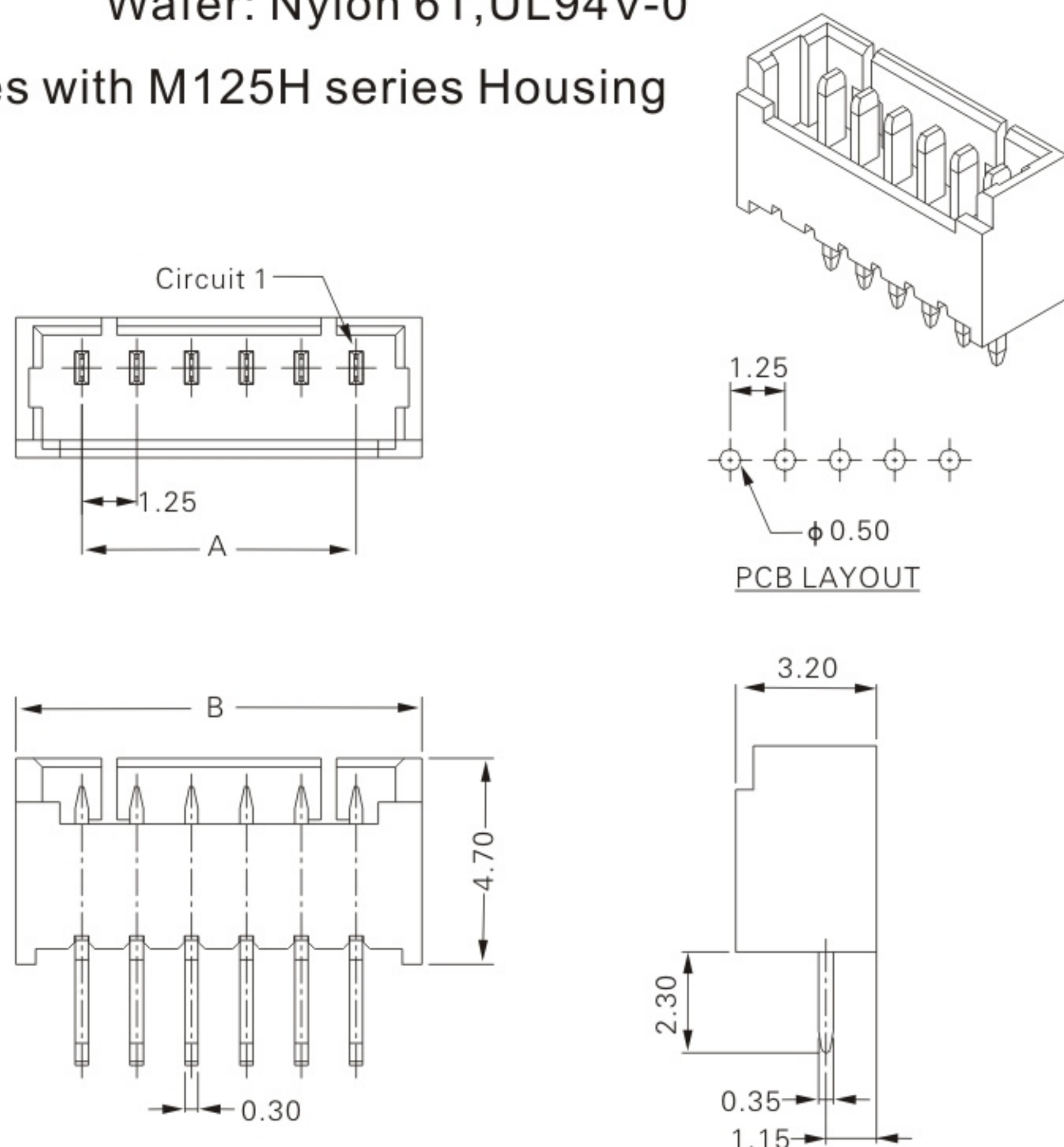
# M125PS-NP (1.25mm pitch 180° wafer)

## Reference Informations:

\*Material: Pin: Phosphor Bronze/Tin-plated

Wafer: Nylon 6T,UL94V-0

\*Mates with M125H series Housing



## Ordering Information & Dimensions

Circuits	Part No.	DIM.(mm)	
		A	B
02	M125PS-02P	1.25	4.25
03	M125PS-03P	2.50	5.50
04	M125PS-04P	3.75	6.75
05	M125PS-05P	5.00	8.00
06	M125PS-06P	6.25	9.25
07	M125PS-07P	7.50	10.50
08	M125PS-08P	8.75	11.75
09	M125PS-09P	10.00	13.00
10	M125PS-10P	11.25	14.25
11	M125PS-11P	12.50	15.50
12	M125PS-12P	13.75	16.75
13	M125PS-13P	15.00	18.00
14	M125PS-14P	16.25	19.25
15	M125PS-15P	17.50	20.50

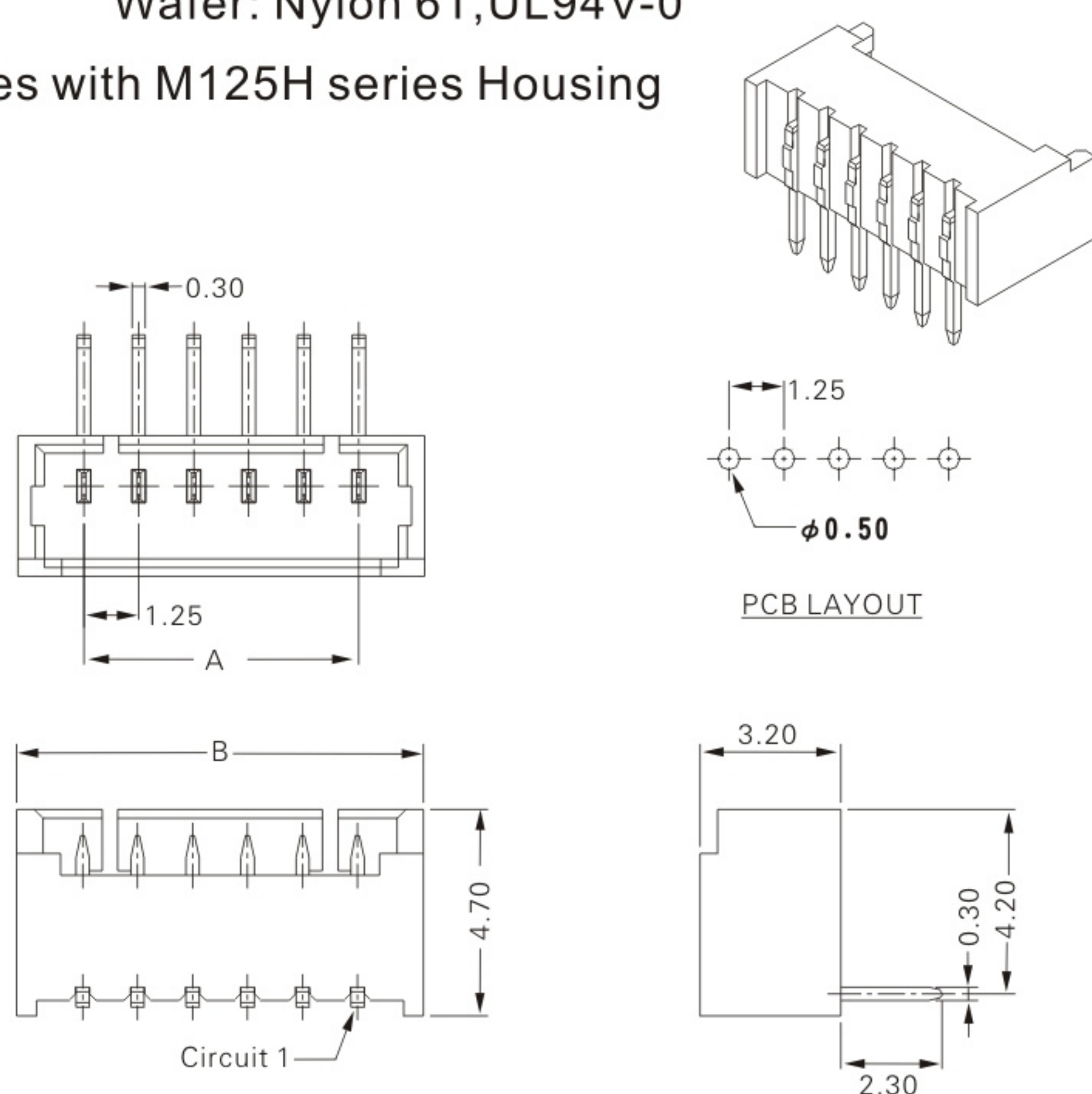
# M125PR-NP (1.25mm pitch 90° wafer)

## Reference Informations:

\*Material: Pin: Phosphor Bronze/Tin-plated

Wafer: Nylon 6T,UL94V-0

\*Mates with M125H series Housing



## Ordering Information & Dimensions

Circuits	Part No.	DIM.(mm)	
		A	B
02	M125PR-02P	1.25	4.25
03	M125PR-03P	2.50	5.50
04	M125PR-04P	3.75	6.75
05	M125PR-05P	5.00	8.00
06	M125PR-06P	6.25	9.25
07	M125PR-07P	7.50	10.50
08	M125PR-08P	8.75	11.75
09	M125PR-09P	10.00	13.00
10	M125PR-10P	11.25	14.25
11	M125PR-11P	12.50	15.50
12	M125PR-12P	13.75	16.75
13	M125PR-13P	15.00	18.00
14	M125PR-14P	16.25	19.25
15	M125PR-15P	17.50	20.50



