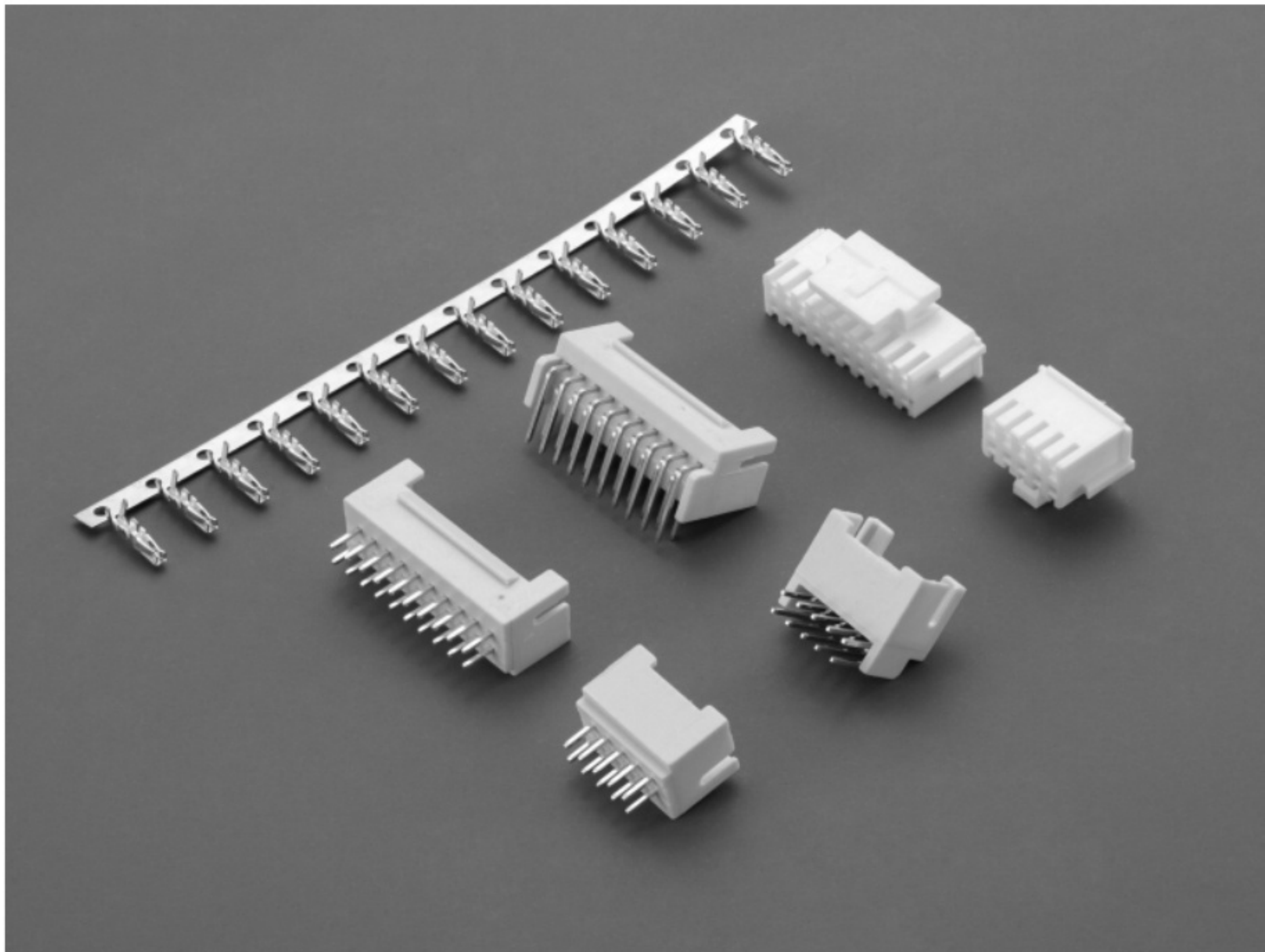


# E2093H SERIES

2.00mm PITCH WIRE TO BOARD CONNECTOR



## Specifications

Current rating: 3A AC,DC

Voltage rating: 250V AC,DC

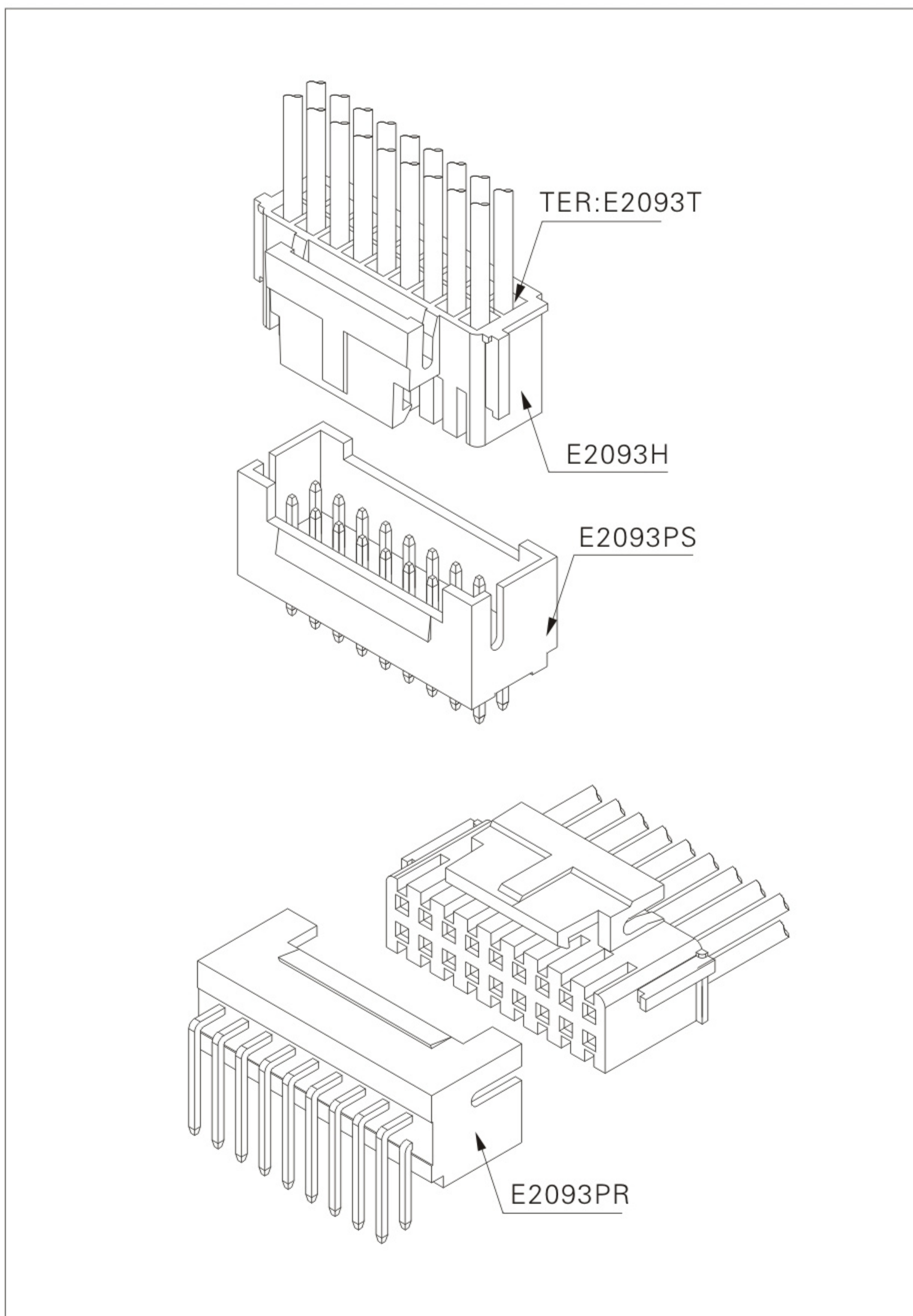
Temperature range: -40°C~+105°C

Contact resistance: 30mΩ Max

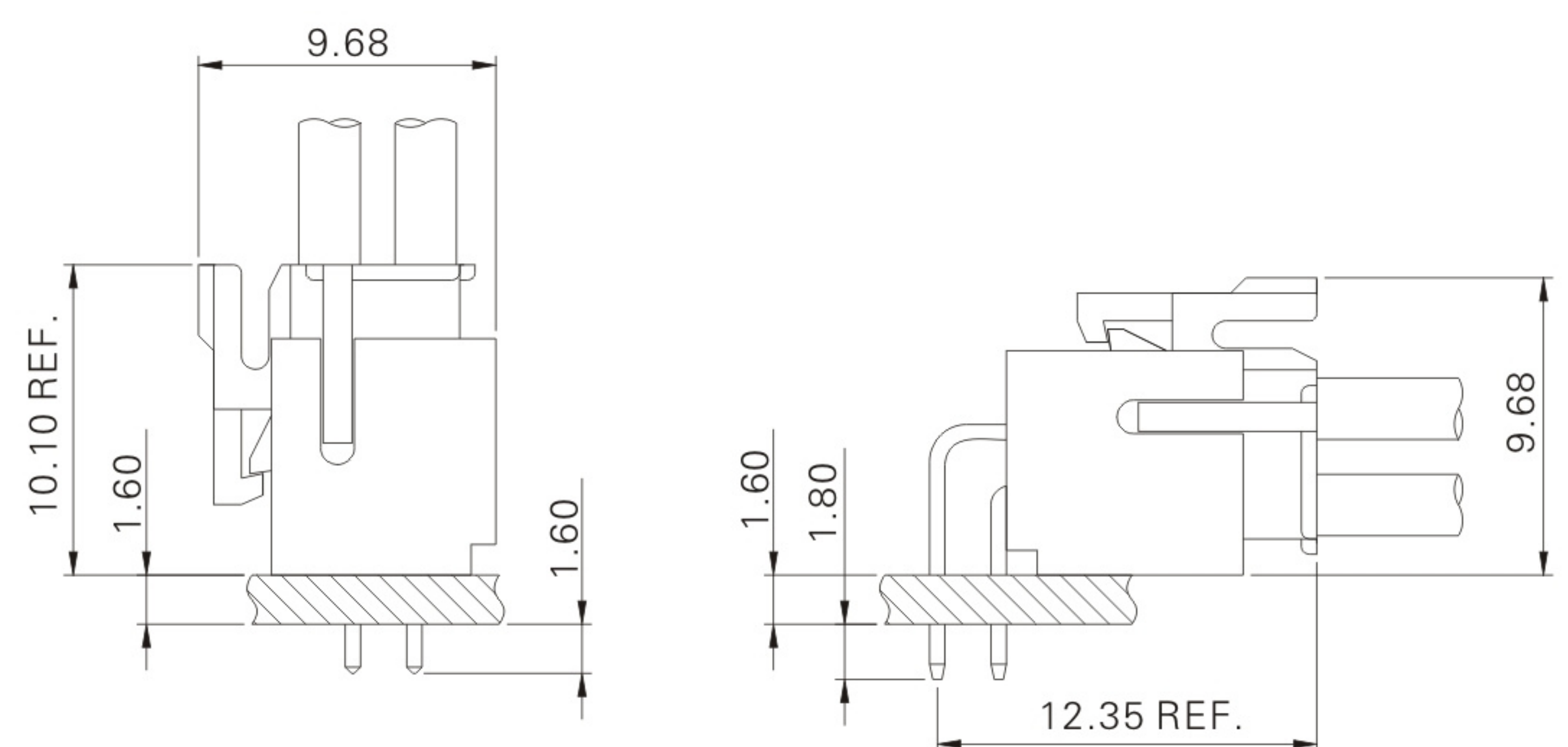
Insulation resistance: 1000mΩ Min

Withstanding voltage: 1000V AC/minute

Applicable wire: AWG#22-#30



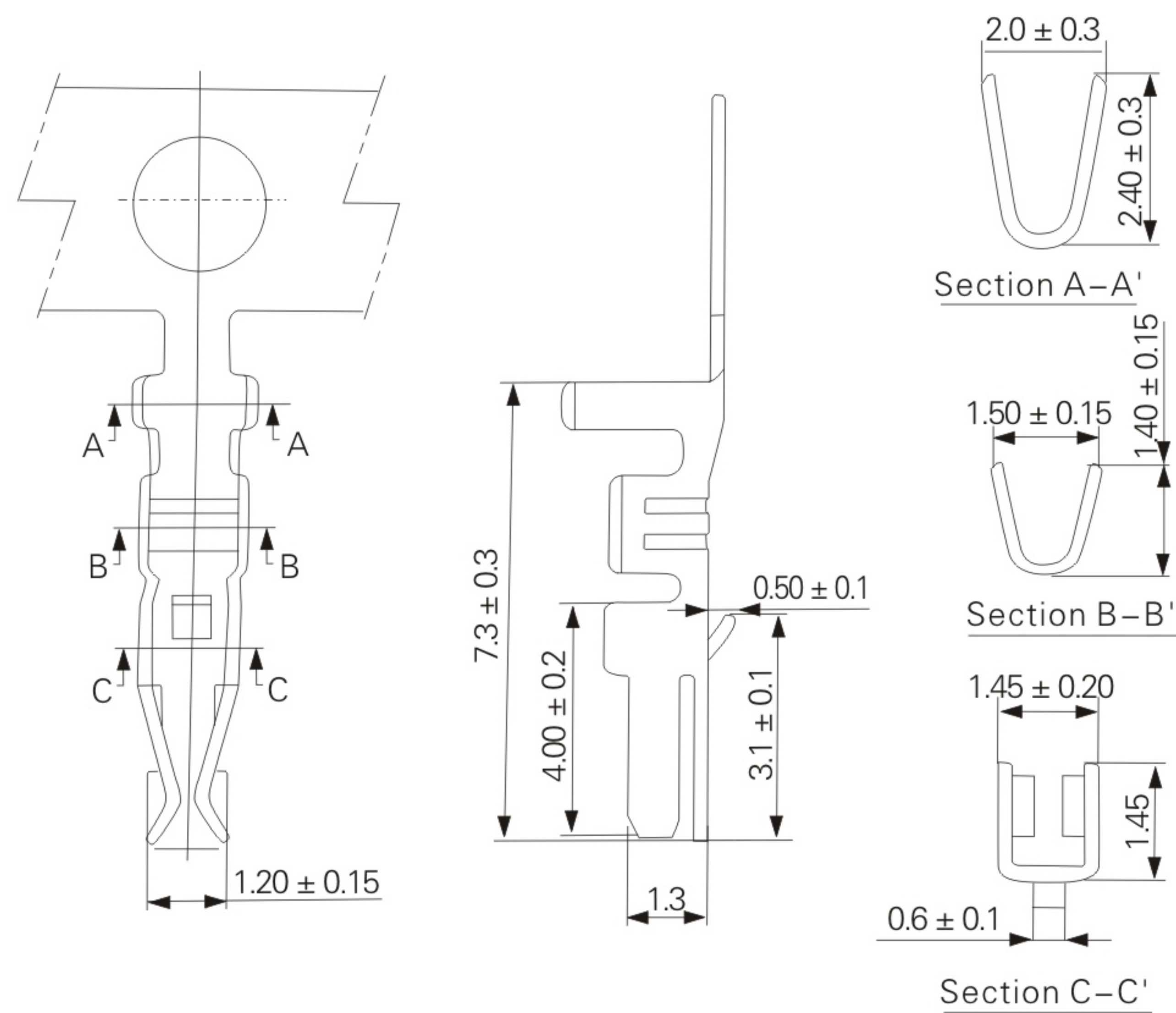
## Assembly layout



# E2093-T (2.00mm pitch dual row crimp terminal)

## Reference Informations:

\*Used in E2093H series Dual Row Housing



## Ordering Information & Specifications

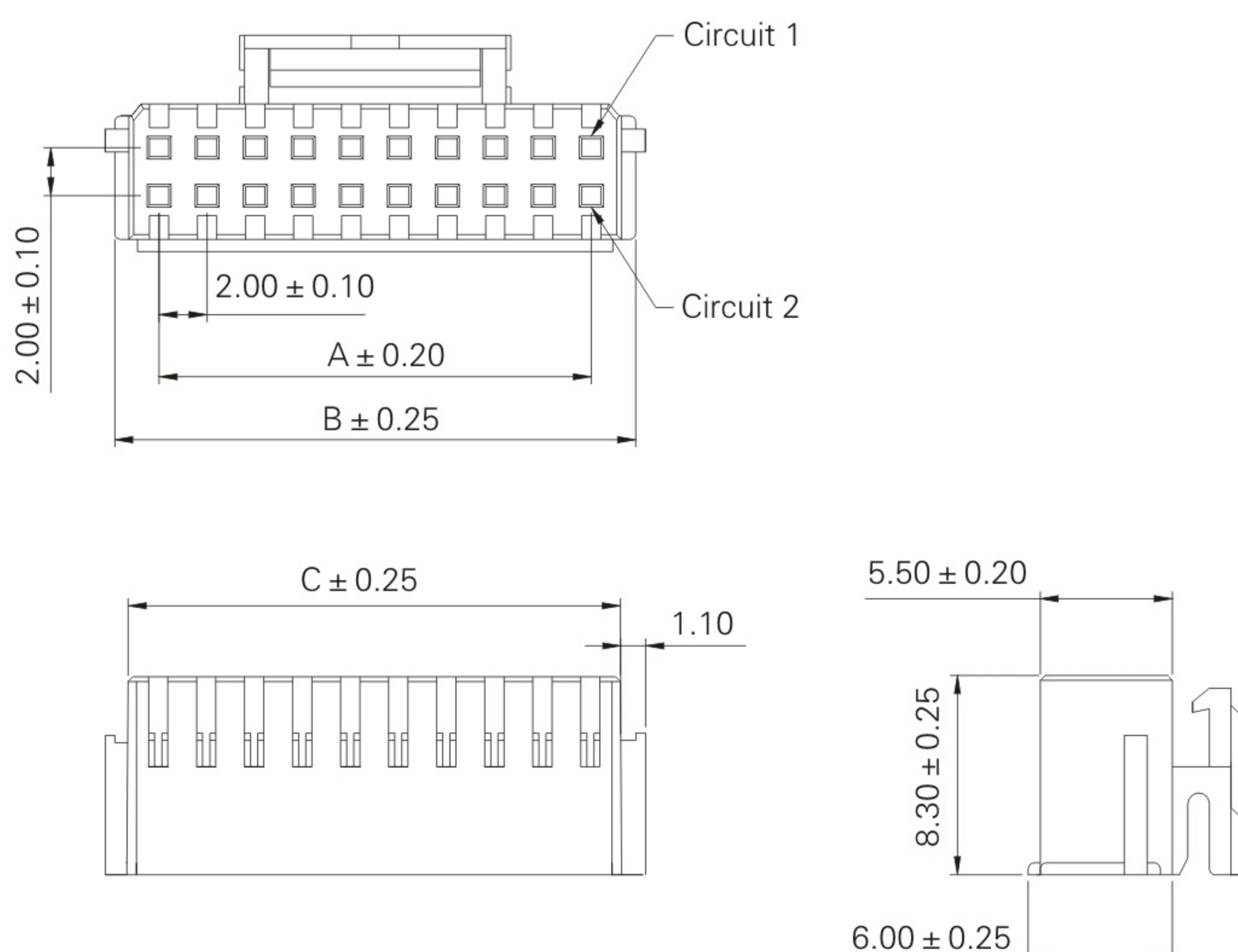
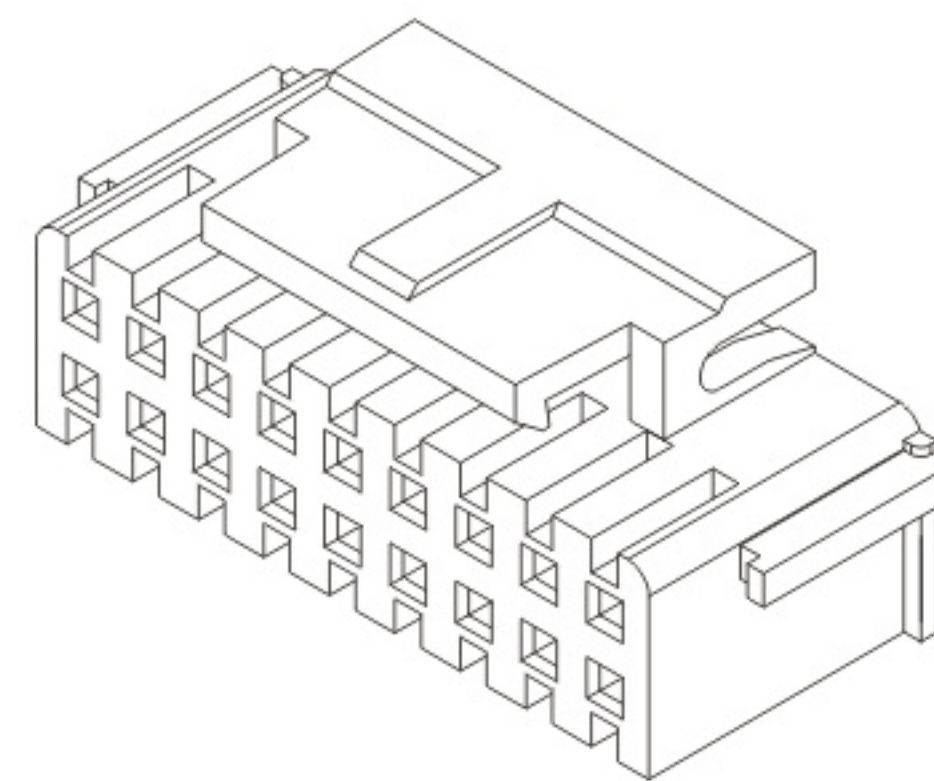
Unit: mm

Part No.	Wire Range	Insulation O.D.	Material	Finish	Qty/reel
E2093P-2	AWG#22-#30	1.45mm(max)	Phosphor Bronze	Tin over Nickel	15,000PCS
E2093P-00	AWG#22-#30	1.45mm(max)	Phosphor Bronze	Gold over Nickel	15,000PCS

# E2093H-2XNP (2.00mm pitch dual row housing)

## Reference Informations:

- \*Material:Nylon 66,UL94V-0
- \*Suitable E2093T series Terminal
- \*Mates with E2093PS & E2093PR series Dual Row Wafer
- \*Color:White



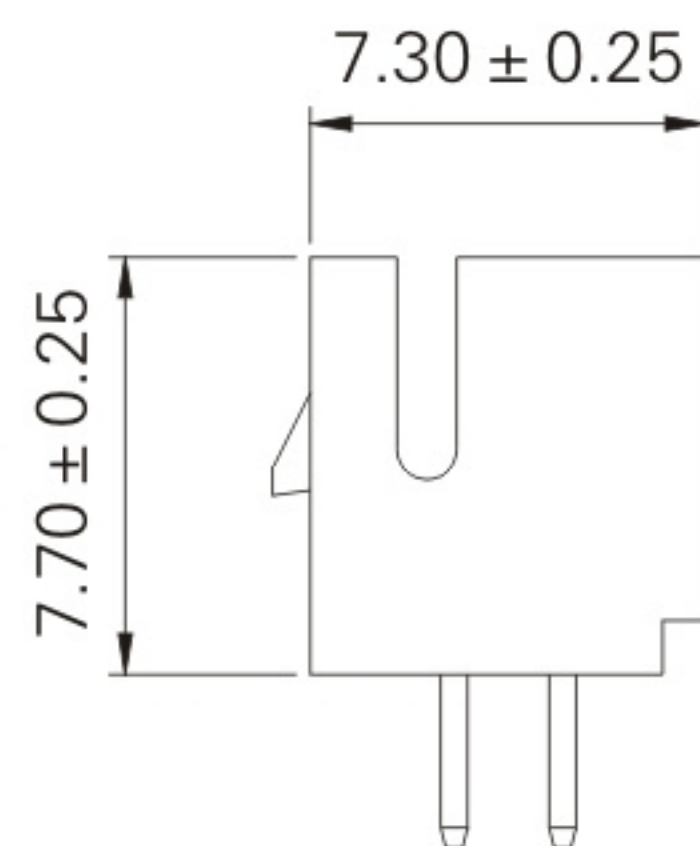
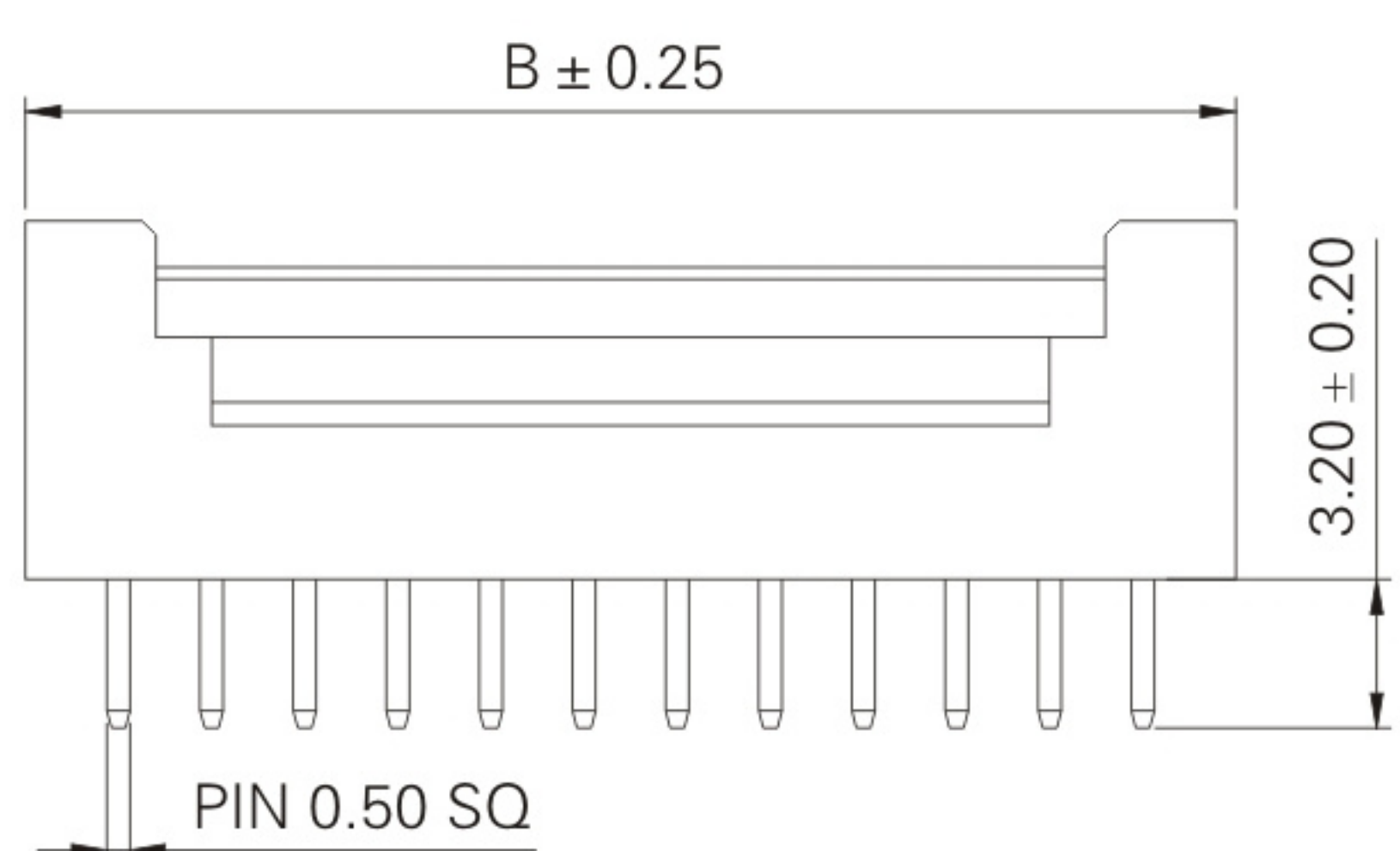
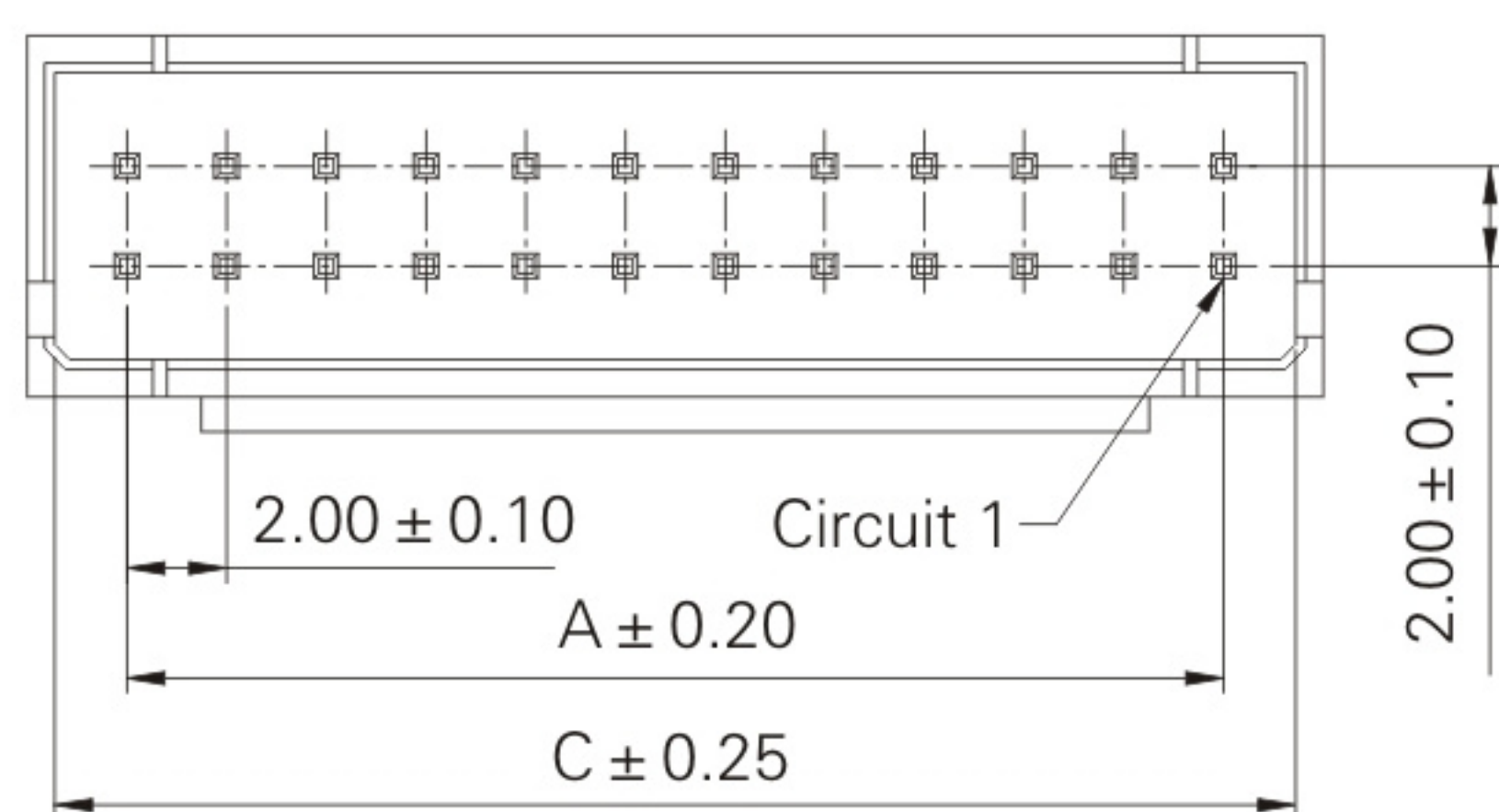
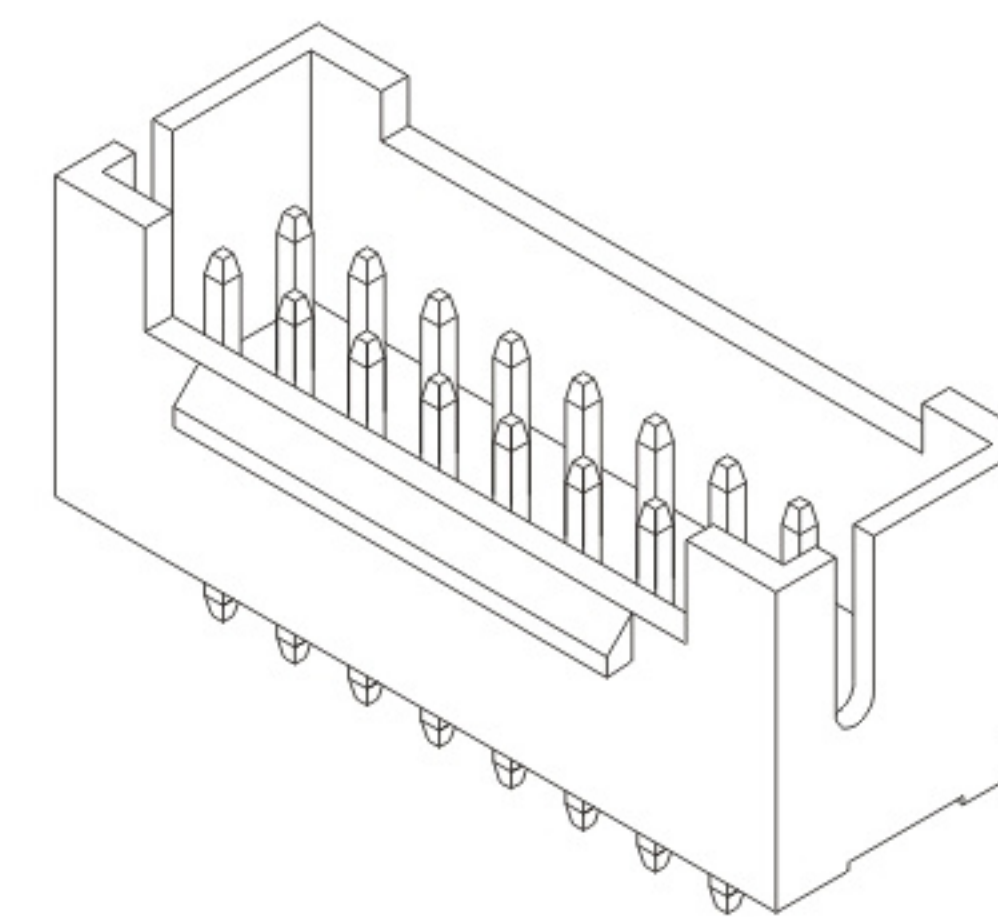
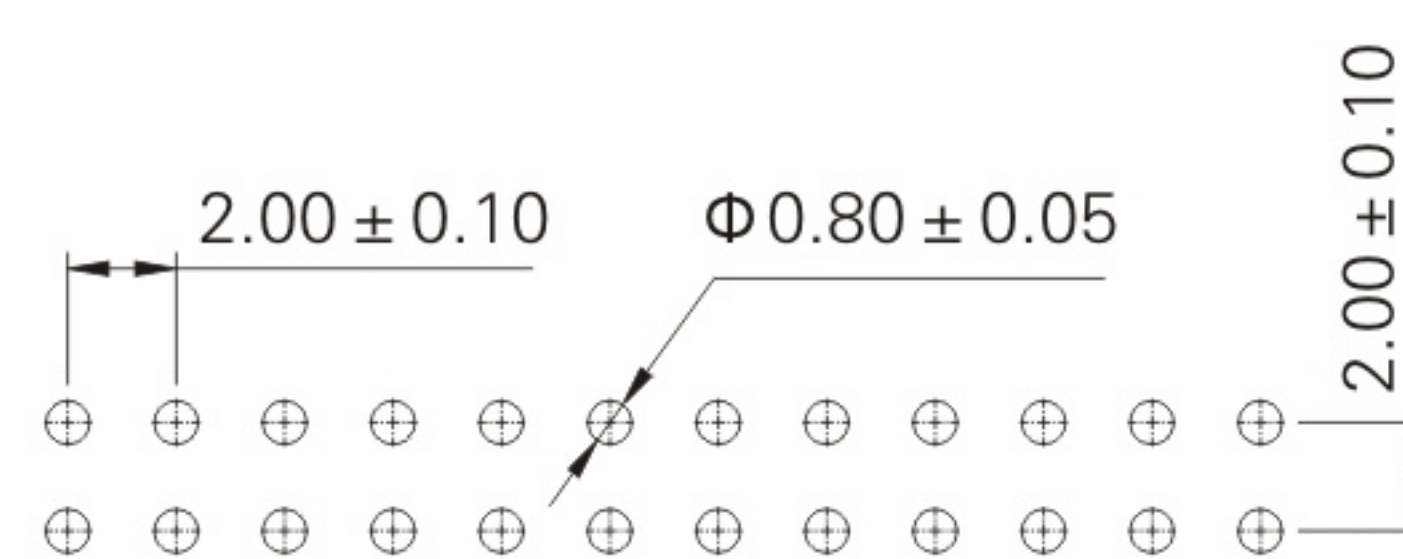
## Ordering Information & Dimensions

Circuits	Part No.	DIM.(mm)		
		A	B	C
03	E2093-2x03P	4.00	7.70	6.70
04	E2093-2x04P	6.00	9.70	8.70
05	E2093-2x05P	8.00	11.70	10.70
06	E2093-2x06P	10.00	13.70	12.70
07	E2093-2x07P	12.00	15.70	14.70
08	E2093-2x08P	14.00	17.70	16.70
09	E2093-2x09P	16.00	19.70	18.70
10	E2093-2x10P	18.00	21.70	20.70
11	E2093-2x11P	20.00	23.70	22.70
12	E2093-2x12P	22.00	25.70	24.70
13	E2093-2x13P	24.00	27.70	26.70
14	E2093-2x14P	26.00	29.70	28.70
15	E2093-2x15P	28.00	31.70	30.70
16	E2093-2x16P	30.00	33.70	32.70
20	E2093-2x20P	38.00	41.70	40.70

# E2093PS-2XNP (2.00mm Pitch 180° dual row wafer)

## Reference Informations:

- \*Material:Pin:Brass/Tin over Nickel  
Insulator:Nylon 66,UL94V-0
- \*Mates with E2093H series Dual Row Housing
- \*Color:Ivory



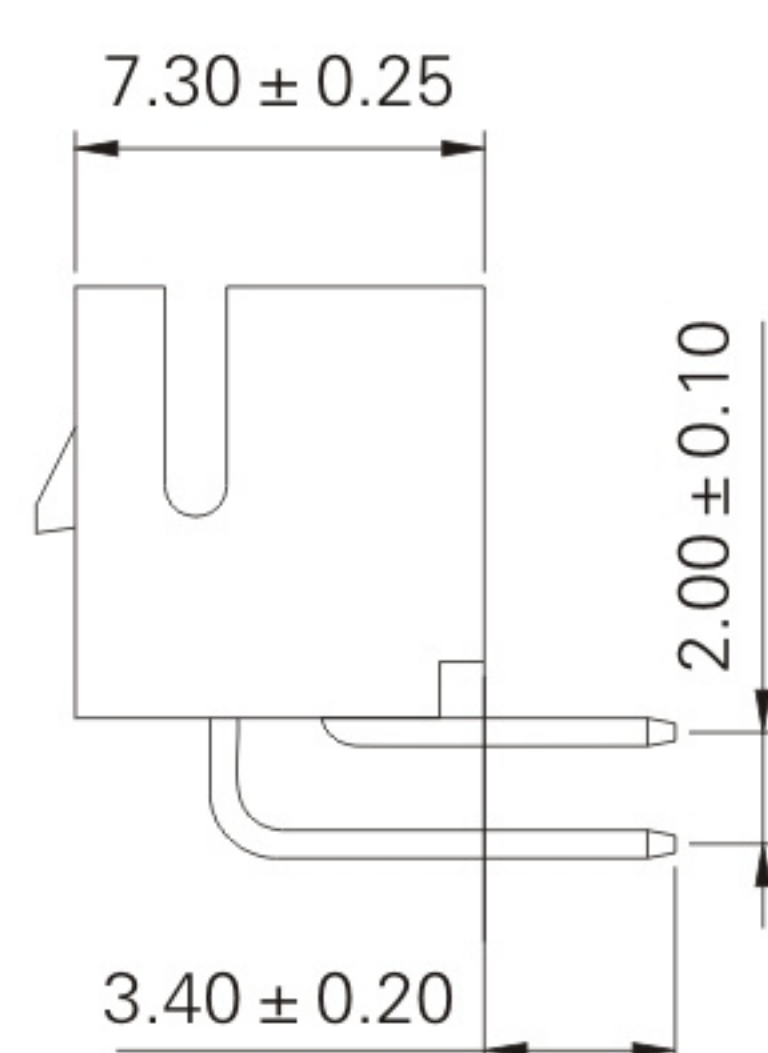
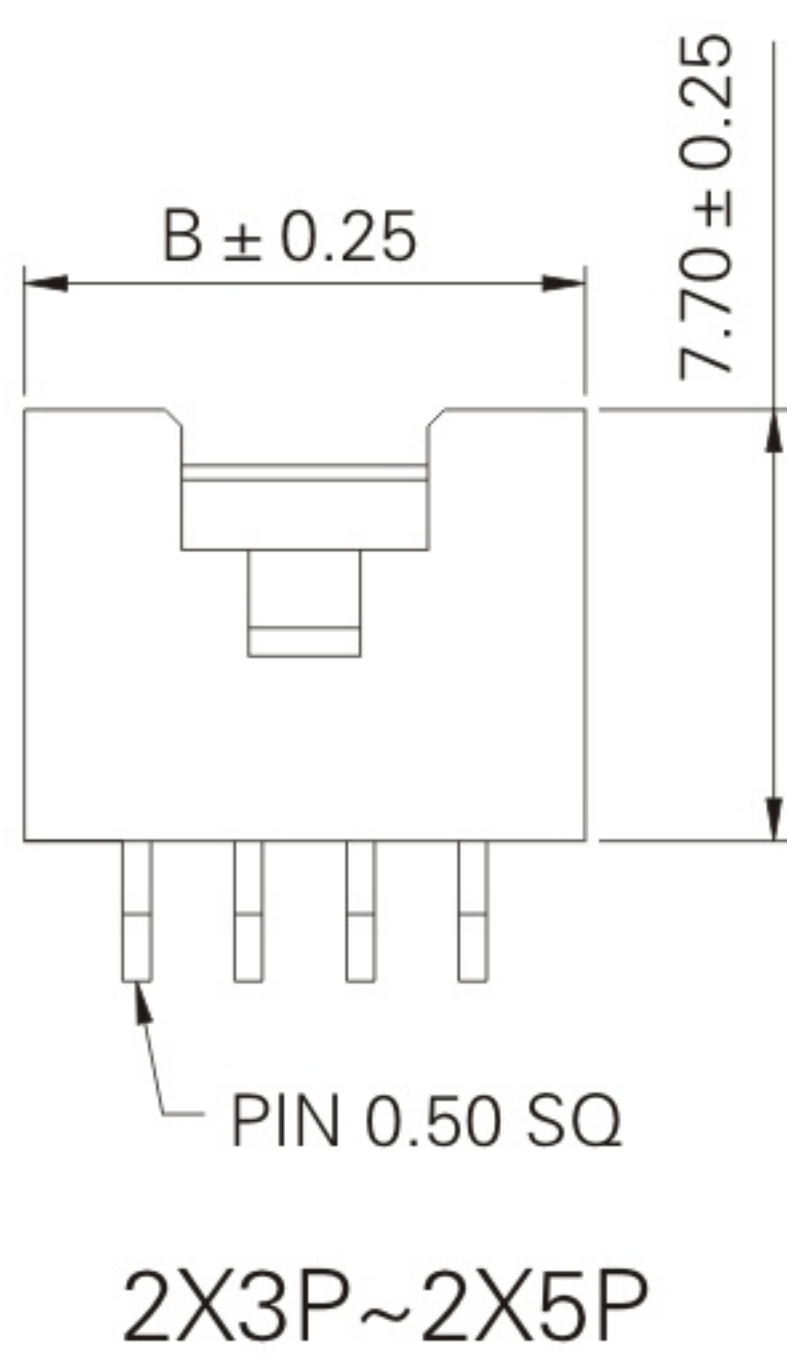
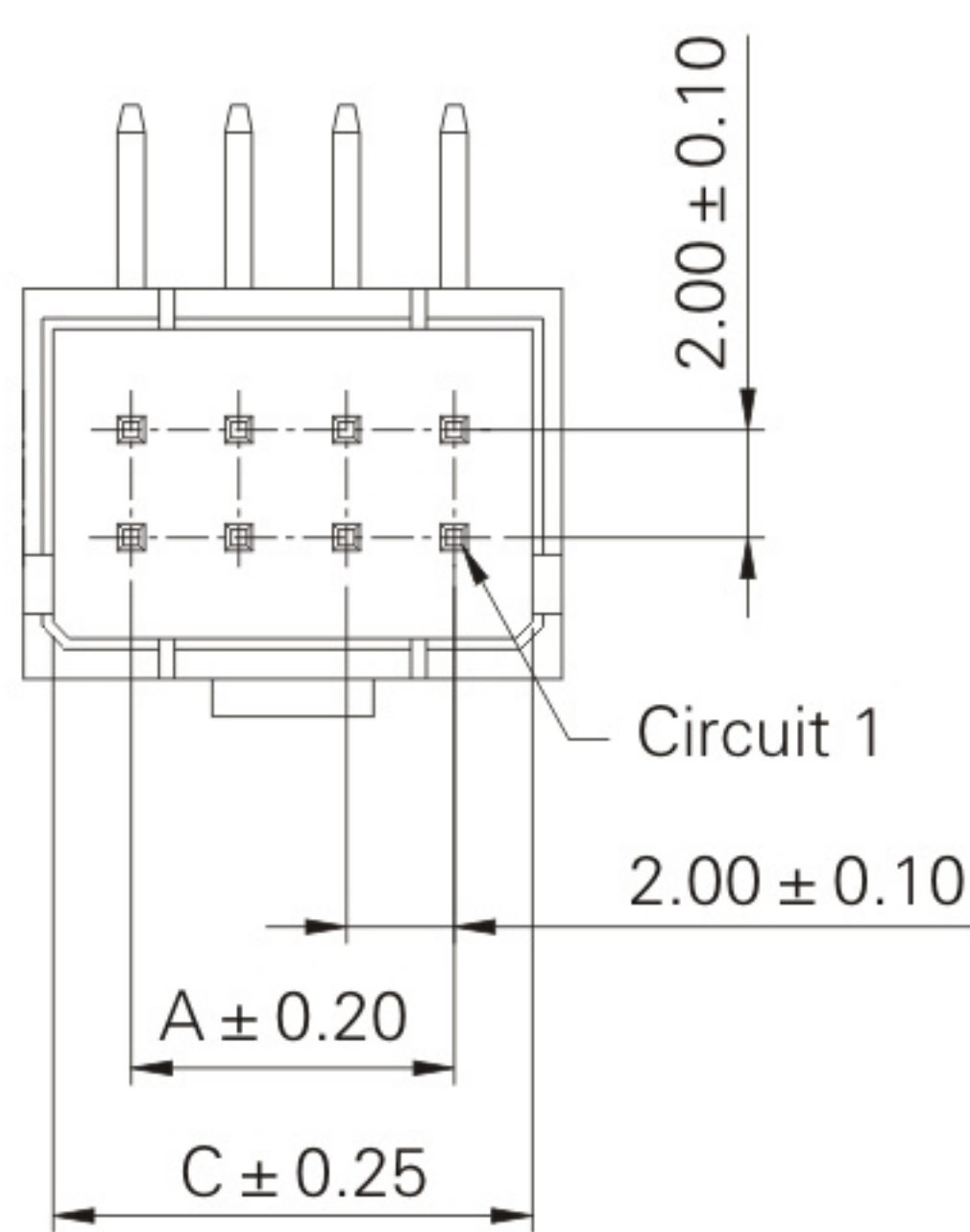
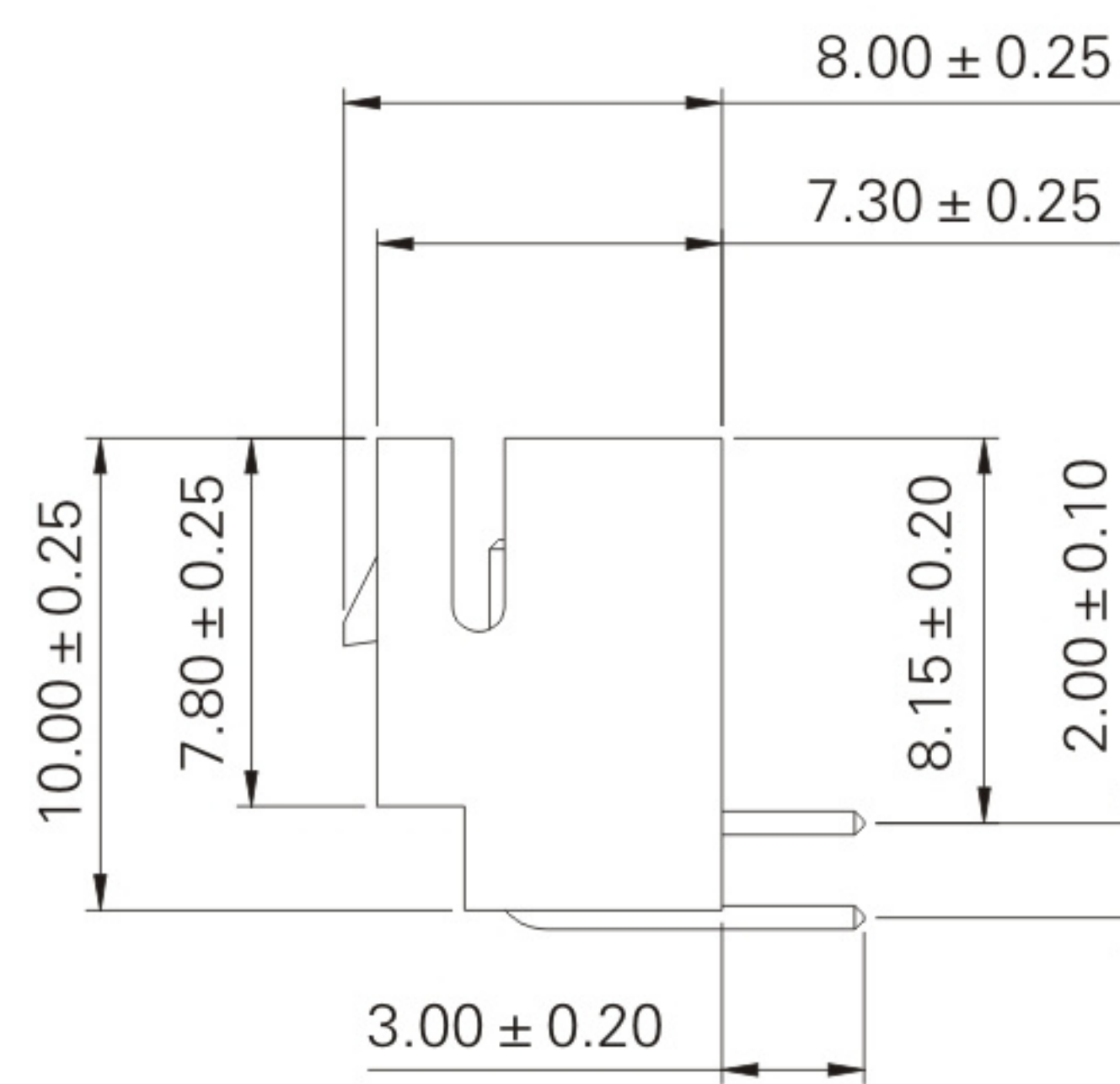
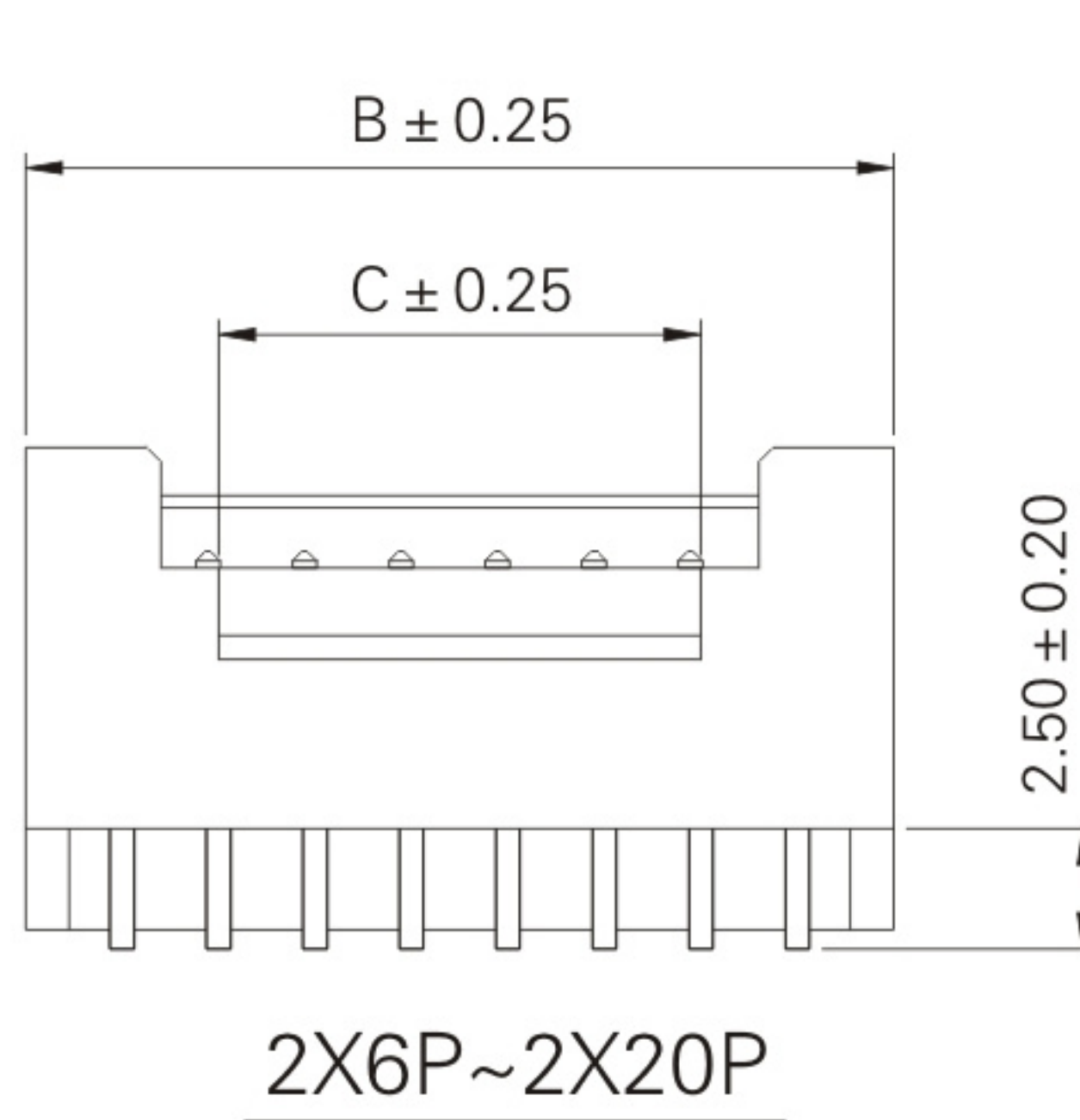
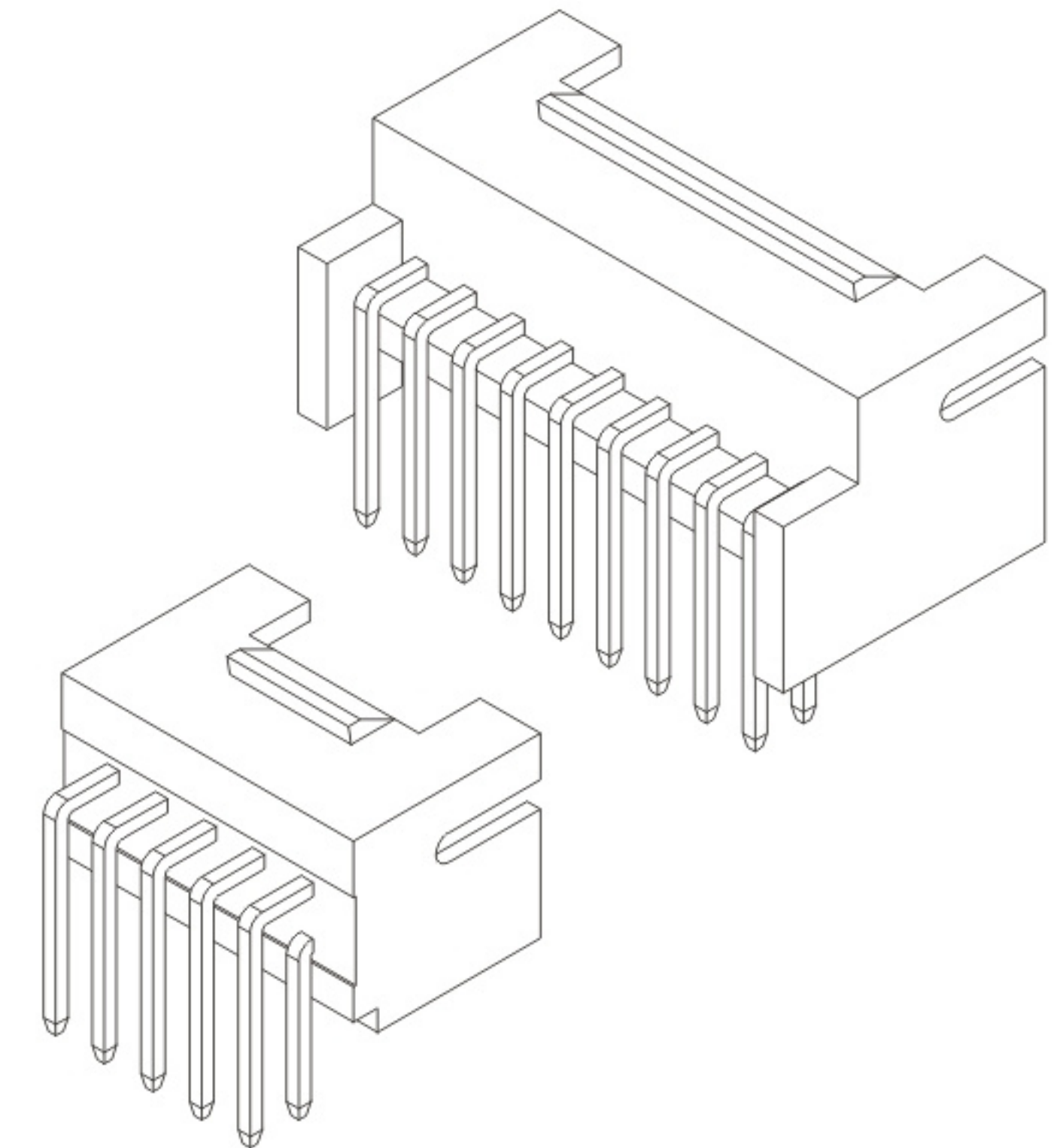
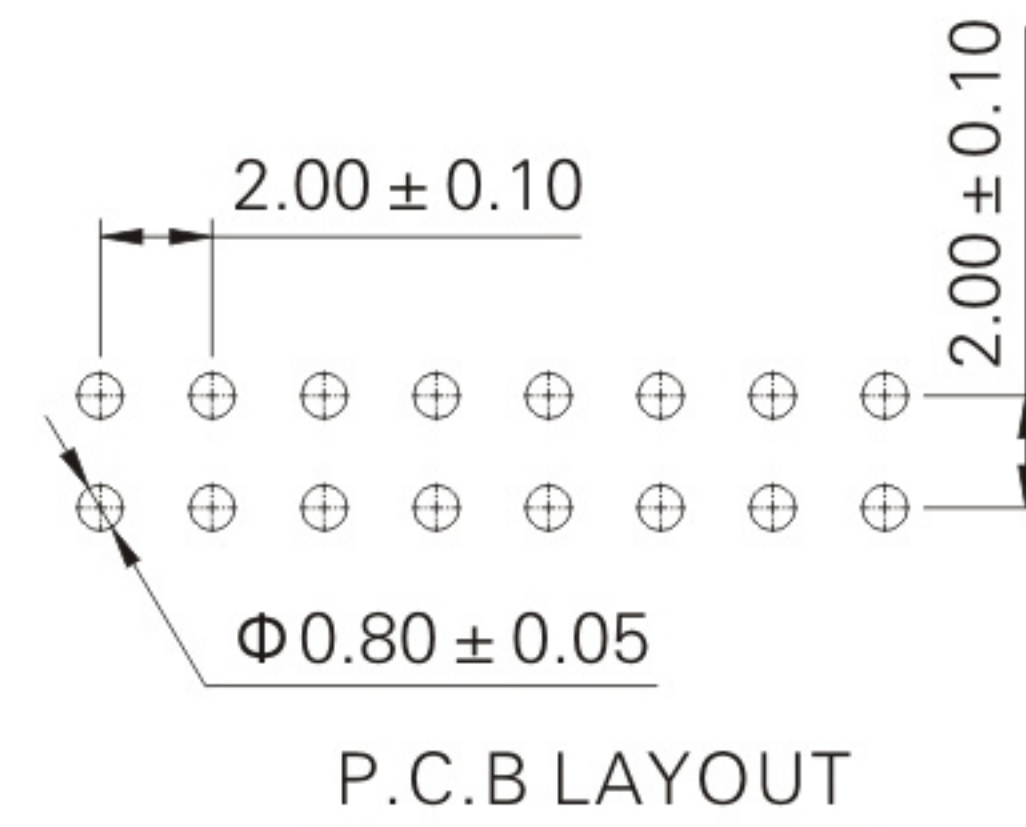
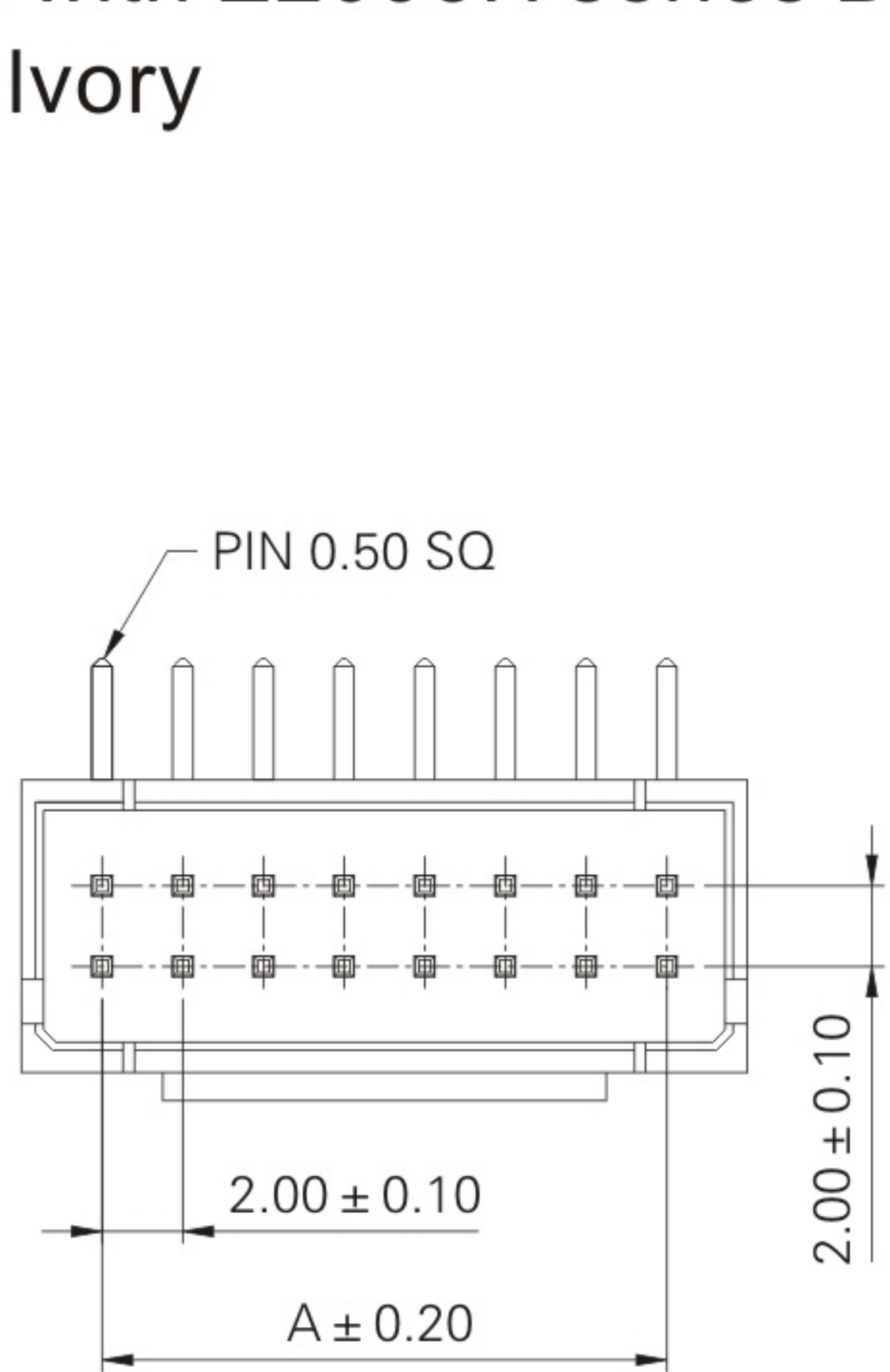
## Ordering Information & Dimensions

Circuits	Part No.	DIM.(mm)		
		A	B	C
03	E2093PS-2x03P	4.00	8.00	6.80
04	E2093PS-2x04P	6.00	10.00	8.80
05	E2093PS-2x05P	8.00	12.00	10.80
06	E2093PS-2x06P	10.00	14.00	12.80
07	E2093PS-2x07P	12.00	16.00	14.80
08	E2093PS-2x08P	14.00	18.00	16.80
09	E2093PS-2x09P	16.00	20.00	18.80
10	E2093PS-2x10P	18.00	22.00	20.80
11	E2093PS-2x11P	20.00	24.00	22.80
12	E2093PS-2x12P	22.00	26.00	24.80
13	E2093PS-2x13P	24.00	28.00	26.80
14	E2093PS-2x14P	26.00	30.00	28.80
15	E2093PS-2x15P	28.00	32.00	30.80
16	E2093PS-2x16P	30.00	34.00	32.80
20	E2093PS-2x20P	38.00	42.00	40.80

# E2093PR-2XNP (2.00mm pitch 90° dual row wafer)

## Reference Informations:

- \*Material: Pin: Brass/Tin over Nickel  
Insulator: Nylon 66, UL94V-0
- \*Mates with E2093H series Dual Row Housing
- \*Color: Ivory



## Ordering Information & Dimensions

Circuits	Part No.	DIM.(mm)		
		A	B	C
03	E2093PR-2x03P	4.00	8.00	6.80
04	E2093PR-2x04P	6.00	10.00	8.80
05	E2093PR-2x05P	8.00	12.00	10.80
06	E2093PR-2x06P	10.00	14.00	12.80
07	E2093PR-2x07P	12.00	16.00	14.80
08	E2093PR-2x08P	14.00	18.00	16.80
09	E2093PR-2x09P	16.00	20.00	18.80
10	E2093PR-2x10P	18.00	22.00	20.80
11	E2093PR-2x11P	20.00	24.00	22.80
12	E2093PR-2x12P	22.00	26.00	24.80
13	E2093PR-2x13P	24.00	28.00	26.80
14	E2093PR-2x14P	26.00	30.00	28.80
15	E2093PR-2x15P	28.00	32.00	30.80
16	E2093PR-2x16P	30.00	34.00	32.80
20	E2093PR-2x20P	38.00	42.00	40.80