

Specifications

Current rating: 5A AC,DC

Voltage rating: 250V AC,DC

Temperature range: - 25°C to +85°C
(including temperature rise)

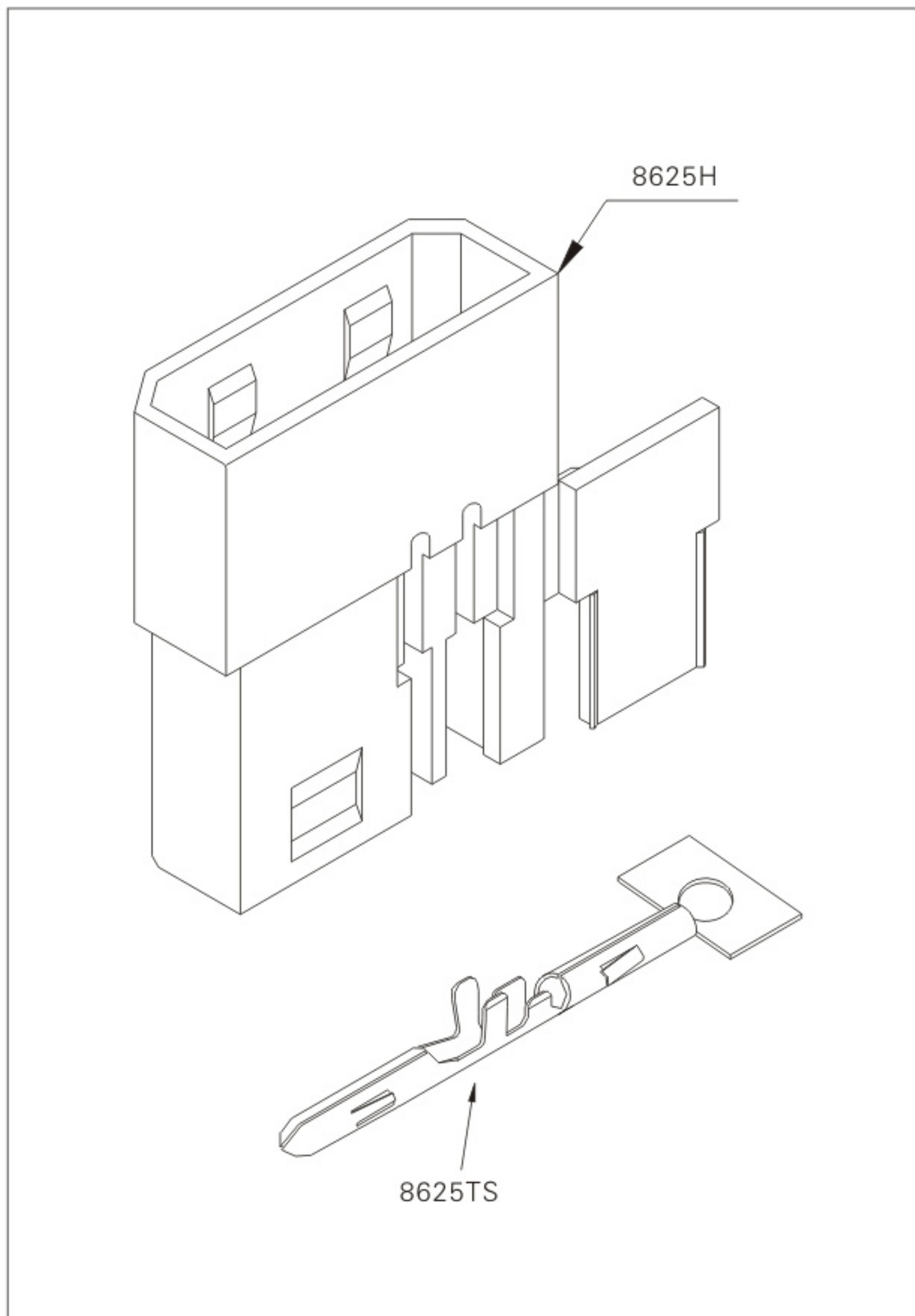
Contact resistance: Initial value/ 10m Ω Max.

After environmental testing/20m Ω Max.

Insulation resistance: 500 M Ω Min.

Withstanding voltage: 1000 V AC/minute

Applicable wire: AWG#24-#26



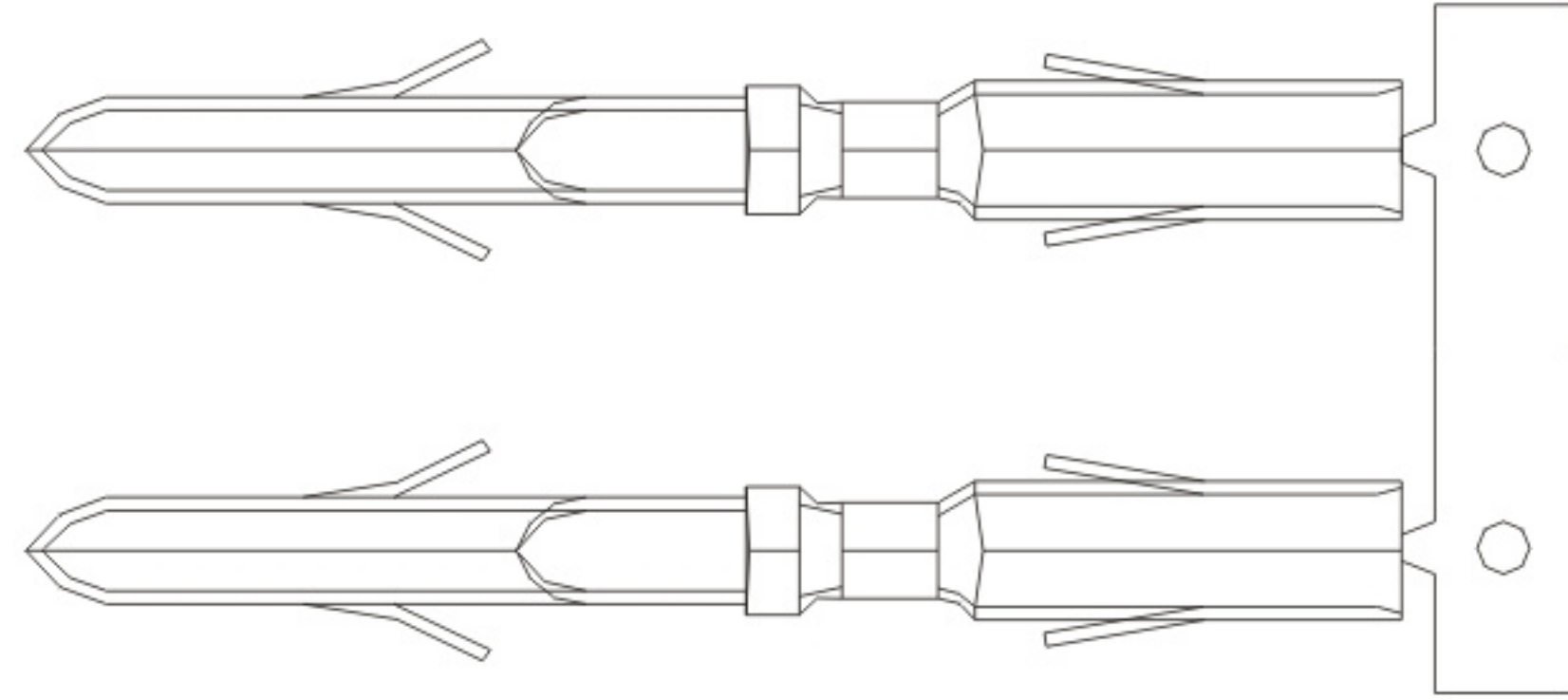
Assembly layout

8625-T (5.08mm pitch crimp terminal)

Reference Informations:

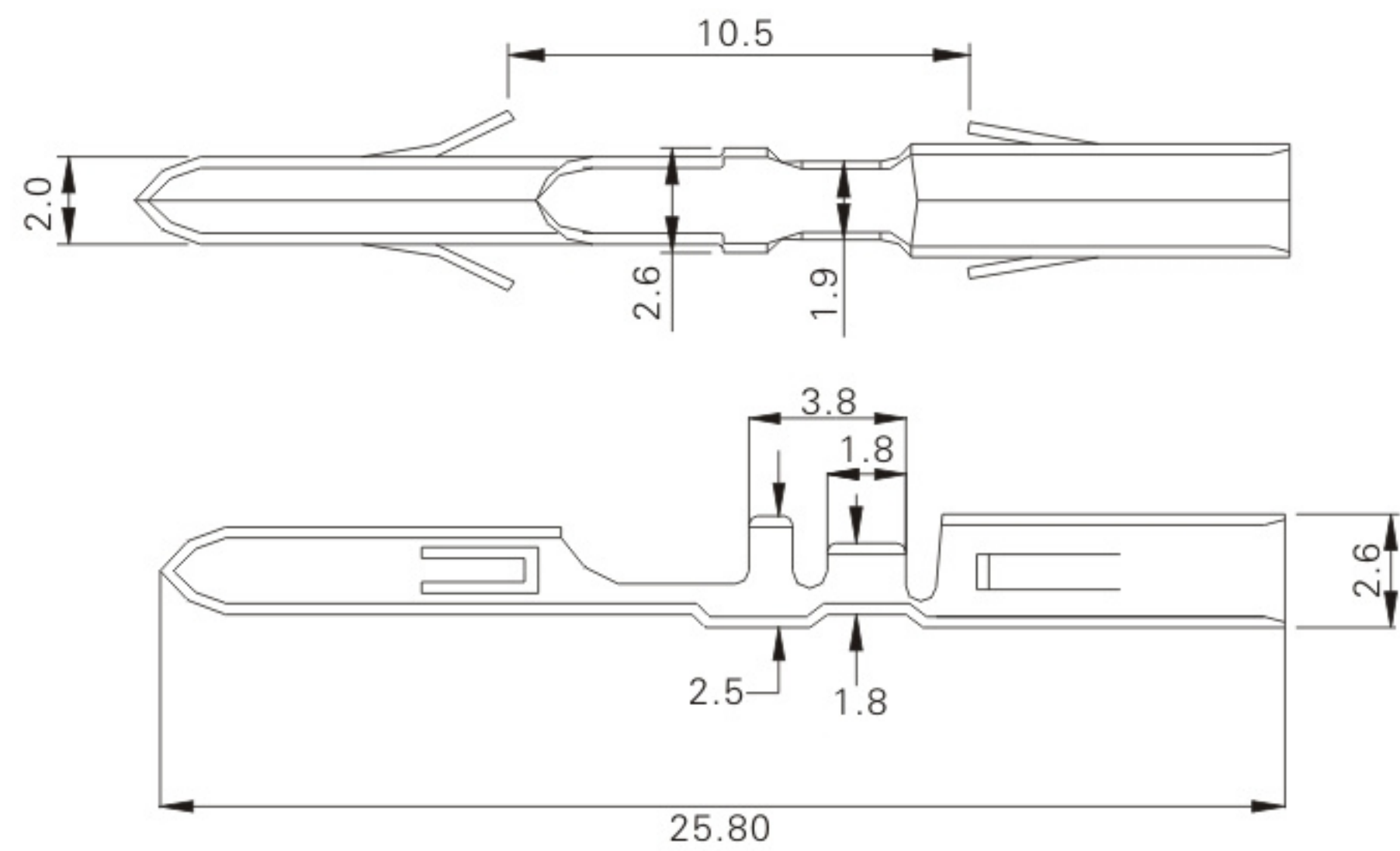
8625TS

- *Thickness: 0.25mm
- *Mat'l: Brass Tin Plated
- *Mates With: 8625 series Housing
- *Packing: 8000 pcs/reel



8625TL

- *Thickness: 0.25mm
- *Mat'l: Brass Tin Plated
- *Mates With: 8625 series Housing
- *Packing: 2000 pcs/bag



8625 (5.08mm pitch crimp housing)

Reference Informations:

- *Mat'l: Nylon 66 UL94V-2
- *Position: 4Pole
- *Mate With: 8625 series Terminal

